

HOFFMANN POWER PRODUCTS

PARTS LIST 2014

TAMPING RAMMER

CN72FW



[ALL PARTS ARE SUBJECT TO STANDARD HOFFMANN TERMS AND CONDITIONS OF SALE 2010](#)

Replacement parts are not manufactured, sold or warranted by O.E.M's and any part numbers and or descriptions are used for identification purposes only.

Manufacturers names, numbers and descriptions are used for reference purposes only and it is not implied that any part listed is the product of the manufacturers.

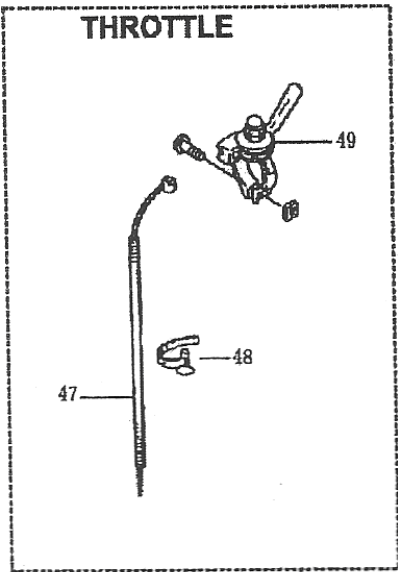
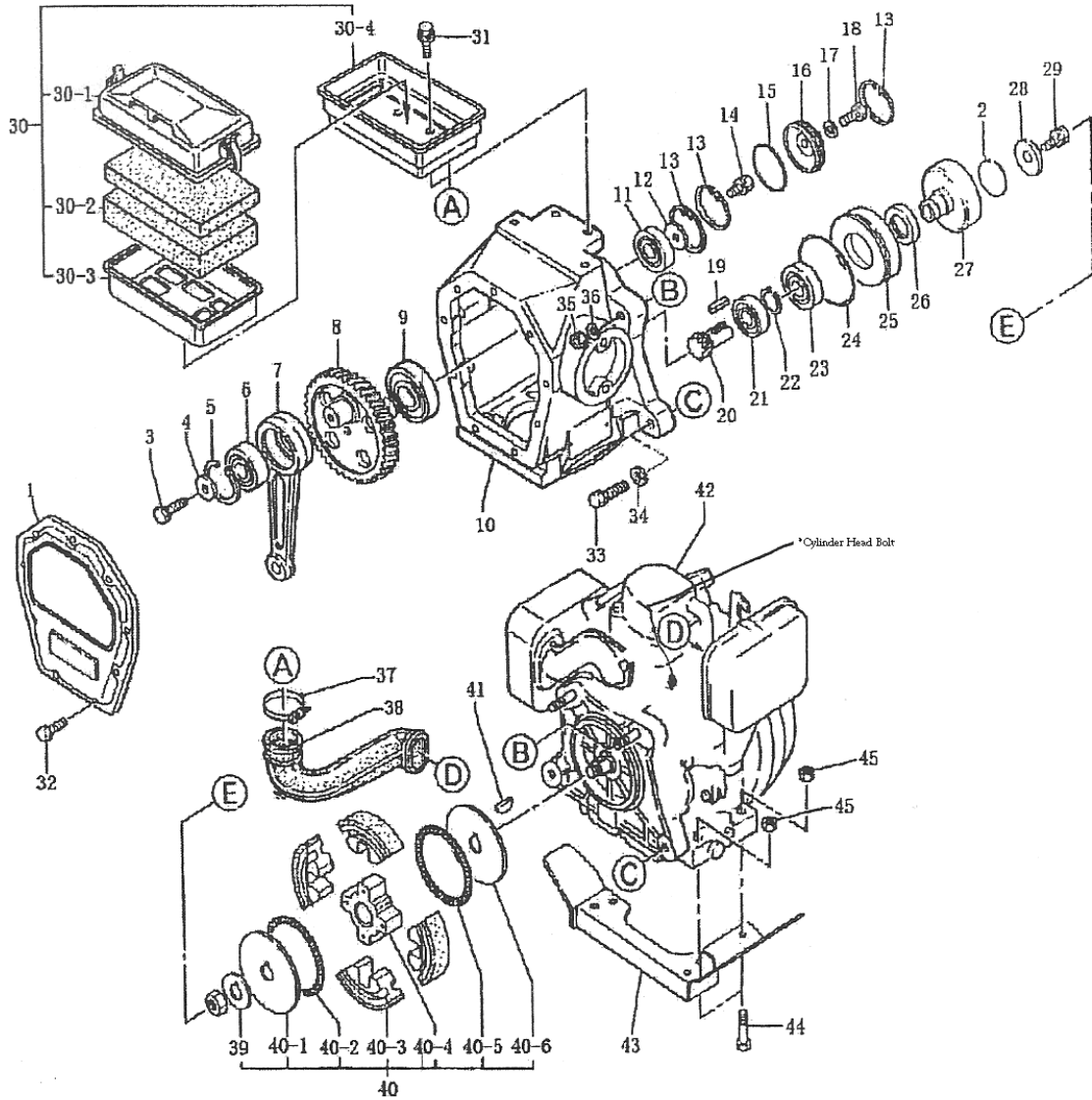
All pictures and drawings are for reference purposes only; any specifications appearing in any documents emanating from The Company are approximate only and are subject to modifications without notice.

All rights reserved, material contained in this publication for which copyright is acknowledged. No part of this publication may be reproduced or transmitted in any form or by any means without written permission of the copyright holder. Copyright Hoffmann International©2012.

SPECIFICATIONS	
Table 1. Rammer Specifications	
Overall Height	41.1 in (1,043 ^{mm})
Overall Width	16.2 in (412 ^{mm})
Overall Length	28.3 in (720 ^{mm})
Shoe Size	13.6X11.2in (345X285 ^{mm})
Blows/minute	680
Impact Force	3,100 lbs/blow (13.7KN/blow)
Clutch	Automatic Centrifugal
Operating Weight	72-87 kg
Specifications are general and are subject to change without notice. If exact measurements are required, equipment should be weighed and measured.	

No	Description	QTY.	Part No.
1	Foot Assy	1	CN-72FW-A-01
2	Sunk Head Bolt 12*55H	2	CN-72FW-A-02
3	Metal Sheet	1	CN-72FW-A-03
4	Plastic Foot	1	CN-72FW-A-04
5	Washer SW M12	7	CN-72FW-A-05
6	Nylon Nut M12	7	CN-72FW-A-06
7	Sunk Head Bolt 12*70H	2	CN-72FW-A-07
8	Washer SW Φ 12	4	CN-72FW-A-08
10	Socket Head Bolt 10*20T	4	CN-72FW-A-10
11	Socket Head Bolt 10*35T	4	CN-72FW-A-11
12	Foot Plate	1	CN-72FW-A-12
13	Packing Φ 12 (CU)	1	CN-72FW-A-13
14	Oil Plug M12*1.25	1	CN-72FW-A-14
15	O-Ring G-90	1	CN-72FW-A-15
16	Main Spring	4	CN-72FW-A-16
17	Nut M18,P1.5	1	CN-72FW-A-17
18	Piston End	1	CN-72FW-A-18
19	Stopper Lower	1	CN-72FW-A-19
20	Spring Cylinder	1	CN-72FW-A-20
21	Stopper Upper	1	CN-72FW-A-21
22	Piston Rod Kit	1	CN-72FW-A-22
23	Nylon Plug	2	CN-72FW-A-23
24	Piston Pin	1	CN-72FW-A-24
25	O-Ring Φ 100x3.1	1	CN-72FW-A-25
26	Protection Sleeve	1	CN-72FW-A-26
27	Copper Packing Φ 16	1	CN-72FW-A-27
28	Lever Gauge, Plug Type	1	CN-72FW-A-28
29	Packing Φ 12	1	CN-72FW-A-29
30	Plug $\frac{1}{4}$ *14 13L	1	CN-72FW-A-30
31	O Ring 160*4	1	CN-72FW-A-31
32	Bellows Clamp	2	CN-72FW-A-32
33	Band Guide, Bellows	2	A-33
34	Bolt 8*40H	2	CN-72FW-A-34
35	Nut M8	2	5HG-M10800
36	Pin 6D-8.5L	2	CN-72FW-A36
37	Bellow (German made) Optional	1	CN-72FW-A-37
38	O Ring 160*4	1	CN-72FW-A-38
39	Bolt 10*35 H,SW	4	CN-72FW-A-39
40	Guide Cylinder	1	CN-72FW-A-40
41	O-Ring Φ 160X5.3	1	CN-72FW-A-41

CRANKCASE AND ENGINE ASSY



No	Description	QTY.	Part No.
1	Back of Crankcase	1	CN-72FW-B-01
2	O-Ring $\Phi 22.4 \times 2.65$	1	CN-72FW-B-02
3	Bolt 8*20H,SW	1	CN-72FW-B-03
4	Washer $\Phi 8$	1	CN-72FW-B-04
5	Stop Ring R052	1	CN-72FW-B-05
6	Bearing 6304	1	HP16-1507A/JP
7	Connecting Rod	1	CN-72FW-B-07
8	Gear Wheel	1	CN-72FW-B-08
10	Bearing 6207 (9)	1	GBT276/94/6207
9	Crankcase	1	CN-72FW-B-10
11	Bearing 6204	1	Local B-11
12	Washer $\Phi 8$	1	CN-72FW-B-12
13	Stop Ring $\Phi 47$	3	CN-72FW-B-13
14	Bolt 820H,SW	1	CN-72FW-B-14
15	O-Ring $\Phi 43.7 \times 1.8$	1	CN-72FW-B-15
16	Bearing Cover	1	CN-72FW-B-16
17	Nut M8 (17)	1	5HG-M10800
18	Bolt 6*10T (18)	1	GB5787-86/6x10
19	Flat Keys 5*20	1	CN-72FW-B-19
20	Pinion	1	CN-72FW-B-20
21	Bearing 6204	1	Local B-21
22	Stop Ring S-35	1	CN-72FW-B-22
23	Bearing 6007Z	1	CN-72FW-B-23
24	O-Ring G-100	1	CN-72FW-B-24
25	Spacer	1	CN-72FW-B-25
26	Oil Seal TC-40528	1	CN-72FW-B-26
27	Clutch Drum	1	CN-72FW-B-27
28	Lock Washer	1	CN-72FW-B-28
29	Bolt 8*25H,SW	1	CN-72FW-B-29
30	Air Cleaner Assy	1	CN-72FW-B-30
29	Bolt 8*25H,SW (31)	1	CN-72FW-B-29
32	Nut M6*18	9	CN-72FW-B-32
33	Hex Bolt M10*50	4	CN-72FW-B-33
34	Spring Washer $\Phi 10$	4	CN-72FW-B-34
35	Nylon Nut M10	4	CN-72FW-B-35
36	Flat Gasket $\Phi 10$	4	CN-72FW-B-36
37	Hoop $\Phi 40$	2	CN-72FW-B-37
38	Syphon, Air Filter	1	CN-72FW-B-38
39	Lock Washer, Clutch	1	CN-72FW-B-39
40	Clutch Assy C812E	1	CN-72FW-B-40
41	Woodruff Key	1	CN-72FW-B-41
42	Engine	1	B-42
43	Engine Plate	1	B-43
44	Hex Plate M8*40	4	CN-72FW-B-44
45	Lock Nut M8	4	CN-72FW-B-45
47	Throttle Wire	1	CN-72FW-B-47
48	Ribbon	3	B-48
49	Throttle Lever	1	CN-72FW-B-49
50	Spring, Clutch	1	CN-FW-S/Clutch B40-5

No	Description	QTY.	Part No.
1	Handle	1	CN-72FW-C-01
2	Roller Handle	1	CN-72FW-C-02
3	Flange Bolt 5*25H	4	CN-72FW-C-03
4	Flange Nut	4	CN-72FW-C-04
5	Shock Absorber	2	CN-72FW-C-05
6	Shock Head Bolt 0*20T	4	CN-72FW-C-06-1*
6	Tooth Locked Washer Φ 10	4	CN-72FW-C-06-2*
7	Bolt 8*30T	4	CN-72FW-C-07
8	Hex Bolt M8*20	2	CN-72FW-C-08
9	Gasket Φ 8	2	CN-72FW-C-09
10	Fuel Tank Bare	1	CN-72FW-C-10
11	Nylon Nut M8	2	CN-72FW-C-11
12	Cap Assy, Tank	1	CN-72FW-C-12
13	O-Ring 22*2.4	1	C-13
14	ptfe Washer ϕ 18	1	C-14
15	Coppr Connection	1	C-15
16	Fuel Cock Assy	1	CN-72FW-C-16
17	Hose Band 9.5D	1	CN-72FW-C-17
18	Hose, Fuel	1	CN-72FW-C-18
19	Hose Band 9.5D	1	CN-72FW-C-19