

HOFFMANN POWER PRODUCTS

PARTS LIST 2012

"S2" 2:1 REDUCTION PETROL ENGINES

3HP – 13-2.1



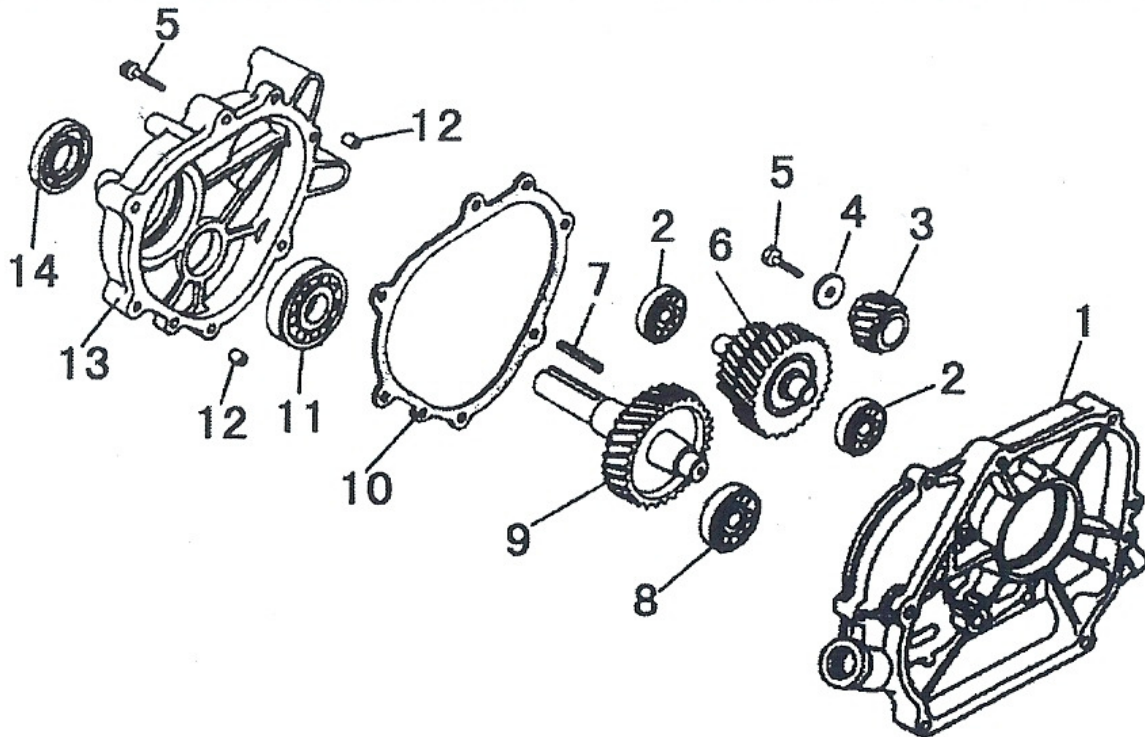
ALL PARTS ARE SUBJECT TO STANDARD HOFFMANN TERMS AND CONDITIONS OF SALE 2010

Replacement parts are not manufactured, sold or warranted by O.E.M's and any part numbers and or descriptions are used for identification purposes only.

Manufacturers names, numbers and descriptions are used for reference purposes only and it is not implied that any part listed is the product of the manufacturers.

All pictures and drawings are for reference purposes only; any specifications appearing in any documents emanating from The Company are approximate only and are subject to modifications without notice.

All rights reserved, material contained in this publication for which copyright is acknowledged. No part of this publication may be reproduced or transmitted in any form or by any means without written permission of the copyright holder. Copyright Hoffmann International©2012.



RETARDER

No	Description	QTY.				Part No.
		G340F-D	G340FD-D	G370F-D	G370FD-D	
1	Crankcase Cover	1	1	1	1	13:2.1-1100001
2	Ball Bearing 6202	2	2	2	2	14Y-6202/P6
3	Spline Gear	1	1	1	1	13:2.1-1210041
4	Washer 8.5x39x4	1	1	1	1	13:2.1-1100006
5	Bolt, Flange, 8x40	7	7	7	7	GB5782-8618x40
6	Gear Comp.	1	1	1	1	13:2.1-1214001
7	Key	1	1	1	1	13:2.1-0817121
8	Ball Bearing 6204	1	1	1	1	Local
9	Output Shaft	1	1	1	1	13:2.1-1100004
10	Gasket, Cover Reduction	1	1	1	1	13:2.1-1100003
11	Ball Bearing 6206	1	1	1	1	8Y-6206/P6
12	Dowel Pin Φ 8x14	2	2	2	2	6.5-0200003
13	Cover Reduction	1	1	1	1	13:2.1-1100002
14	Oil Seal, Φ 30x Φ 46x8	1	1	1	1	13:2.1-0201002