

HOFFMANN POWER PRODUCTS

PARTS LIST 2012

2" PETROL PUMP



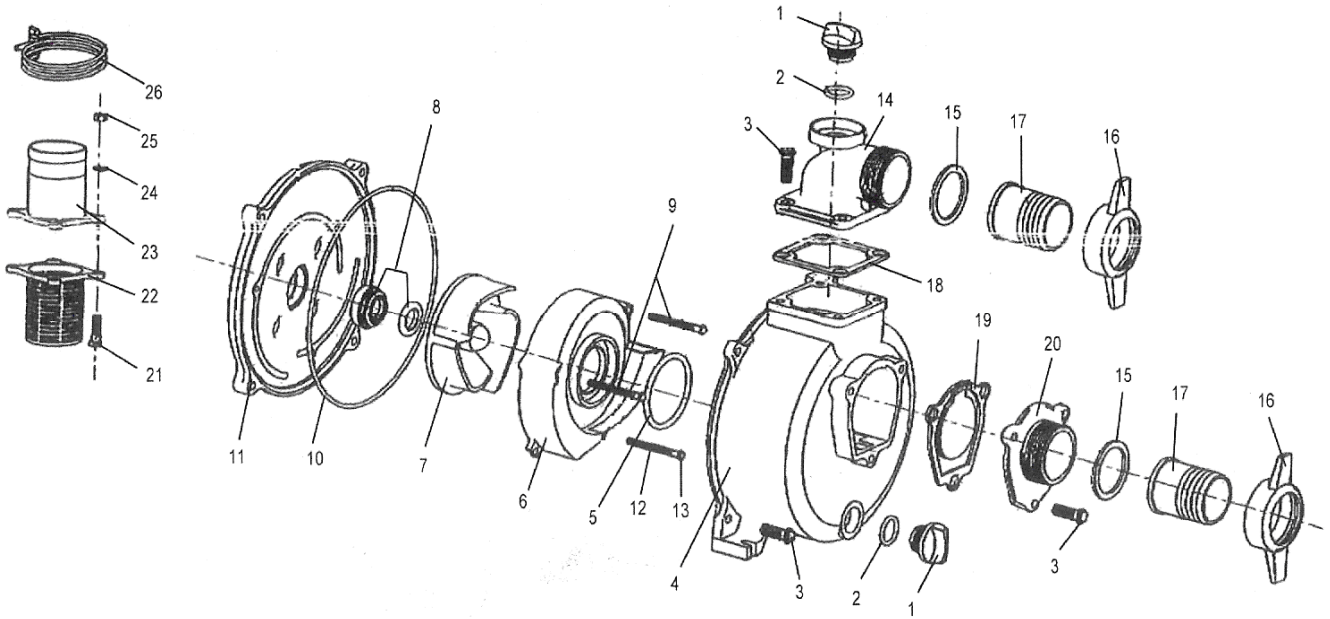
[ALL PARTS ARE SUBJECT TO STANDARD HOFFMANN TERMS AND CONDITIONS OF SALE 2010](#)

Replacement parts are not manufactured, sold or warranted by O.E.M's and any part numbers and or descriptions are used for identification purposes only.

Manufacturers names, numbers and descriptions are used for reference purposes only and it is not implied that any part listed is the product of the manufacturers.

All pictures and drawings are for reference purposes only; any specifications appearing in any documents emanating from The Company are approximate only and are subject to modifications without notice.

All rights reserved, material contained in this publication for which copyright is acknowledged. No part of this publication may be reproduced or transmitted in any form or by any means without written permission of the copyright holder. Copyright Hoffmann International©2012.



2" PETROL PUMP

No	Description	QTY.	Part No.
1	Drain Plug M26X1.75	2	50WP-3002014
2	O-Ring 26X3.55 (GB3452.1-92)	2	50WP-3002014
3	Flange Bolt M8X25 (GB5787-86)	15	GB5783-M8X25
4	Pump Housing	1	50WP-30020008
5	O-Ring 48X5.3 (GB3452.1-92)	1	Local
6	Volute Casing	1	50WP-30020006
7	Keyed Impeller	1	50WP-30020005
8	Mechanical Water Seal	1	50WP-30020004
9	Double End Stud M6X38 (GB900-88)	2	Local
10	O-Ring 218X3.55 (GB3452.1-92)	1	GB1235-76/25X2
11	Pump Cover 4 Hole	1	50WP-30020001
12	Double End Bolt M6X50 (GB900-88)	1	CB900-88/6X50
13	Cap Nut M6 (GB923-88)	3	GBT6170-86/6
14	Output Flange	1	50WP-30020012
15	Hose Connector Seal Ring	2	50WP-30000001
16	Wing Nut Metal	2	50WP-30000003
17	Hose Connector	2	50WP-30000002
18	Square Rubber Gasket	1	50WP-30020011
19	Check Flapper Valve 4 Hole	1	50WP-30020009
20	Pressure Input Flange 4 Hole	1	50WP-30020010
21	Flange Bolt M6X25	4	GB5787-86/6X25
22	Strainer C/W Cover	1	50WP-30000006
23	Strainer C/W Cover	1	50WP-30000006
24	Washer M6	4	GB97.1-85/6
25	Nut M6	4	GB6177-86
26	Hose Clamp 2"	3	50WP-30000004