

HOFFMANN POWER PRODUCTS

PARTS LIST 2016

TRASH PUMP 80TP



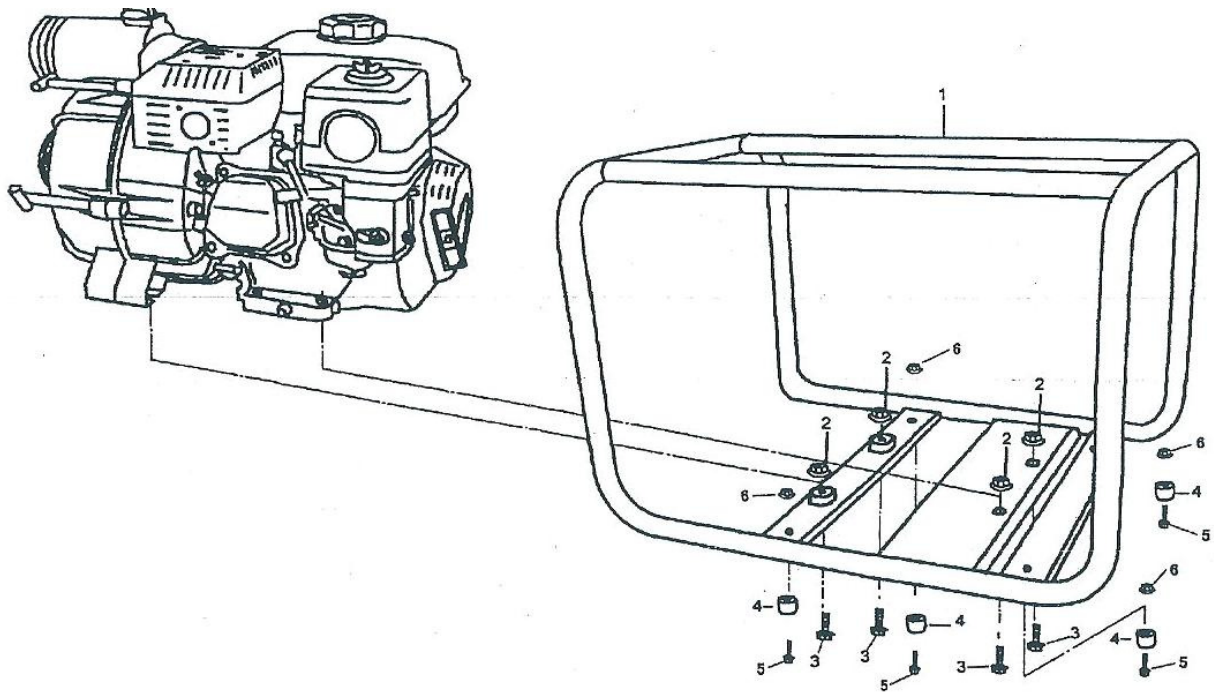
ALL PARTS ARE SUBJECT TO STANDARD HOFFMANN TERMS AND CONDITIONS OF SALE 2010

Replacement parts are not manufactured, sold or warranted by O.E.M's and any part numbers and or descriptions are used for identification purposes only.

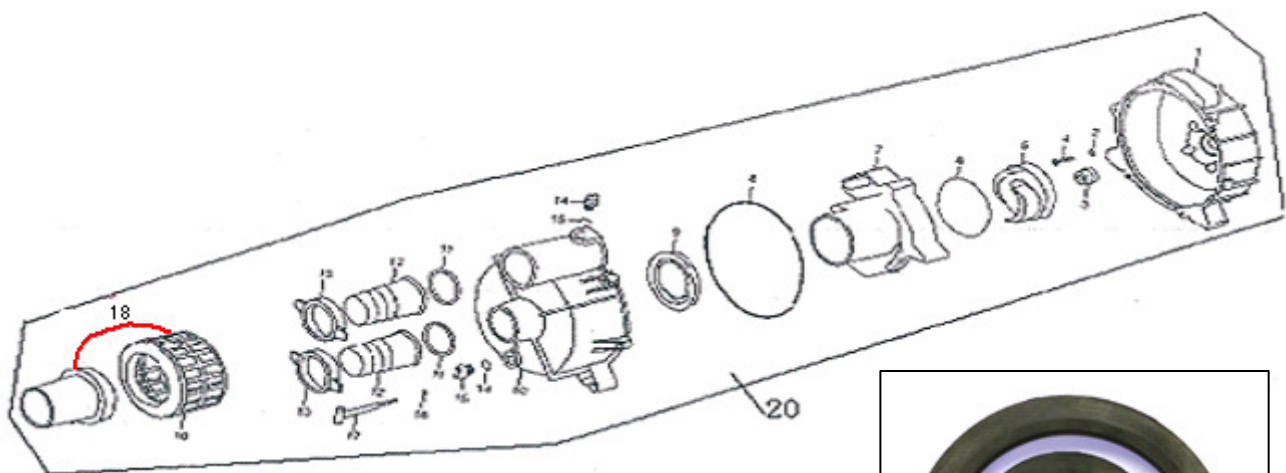
Manufacturers names, numbers and descriptions are used for reference purposes only and it is not implied that any part listed is the product of the manufacturers.

All pictures and drawings are for reference purposes only; any specifications appearing in any documents emanating from The Company are approximate only and are subject to modifications without notice.

All rights reserved, material contained in this publication for which copyright is acknowledged. No part of this publication may be reproduced or transmitted in any form or by any means without written permission of the copyright holder. Copyright Hoffmann International©2012.

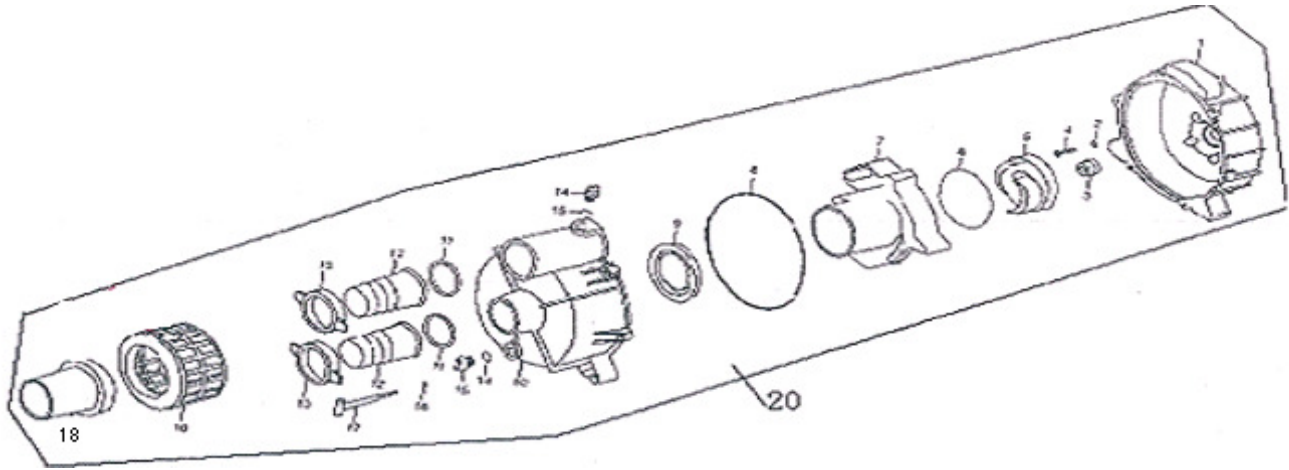


No	Description	QTY.	Part No.
1	Frame Comp.	1	
2	Nut, M8	4	5HG-M10800
3	Bolt, M8x35	4	GB5787-86/8X35
4	Rubber, Shock Absorber	4	
5	Bolt, M6x22	4	GB5787-86/6X22
6	Nut, M6	4	GB6177-86/6



9. Check Valve

No	Description	QTY.	Part No.
1	Pump Cover	1	80TP-30020001
2	'O' Ring Fit Pump Cover (Bolt Hole)	4	80TP-30000009
3	Mechanical	1	80TP-30020004
4	Bolt 8x32	4	GB5787-86/8X32
5	Water Pump Impeller Threaded	1	80TP-30020005
6	'O' Ring – Fit Volute Casing	1	80TP-30000007
7	Volute Casing	1	80TP-30020006
8	'O' Ring – Fit Body of Pump	1	80TP-30000008
9	Check Valve (*See Picture Above)	1	80TP-30020009
10	Body of Pump	1	80TP-30020008
11	Seal, Ring (Fit Hose Connector)	2	80TP-30000001
12	(Plastic) Hose Connector	2	80TP-30000003
13	3" (Metal) Wing Nut	2	80TP-30000002
14	Priming Plug Seal – 'O' Ring (24X4 ^{mm})	2	80TP-30020014
15	Priming Plug w/o Seal	2	80TP-30020015



No	Description	QTY.	Part No.
16		6	
17	"T"-Bolt 1/4-200UNF	6	80TP-30020016
18	Connecting Pipe (Threaded Male)	1	80TP-30000005
19	Filter Strainer	1	80TP-30000004