

HOFFMANN POWER PRODUCTS

PARTS LIST 2017

H-HL30B1 – PISTON PULLEY PUMP



ALL PARTS ARE SUBJECT TO STANDARD HOFFMANN TERMS AND CONDITIONS OF SALE 2010

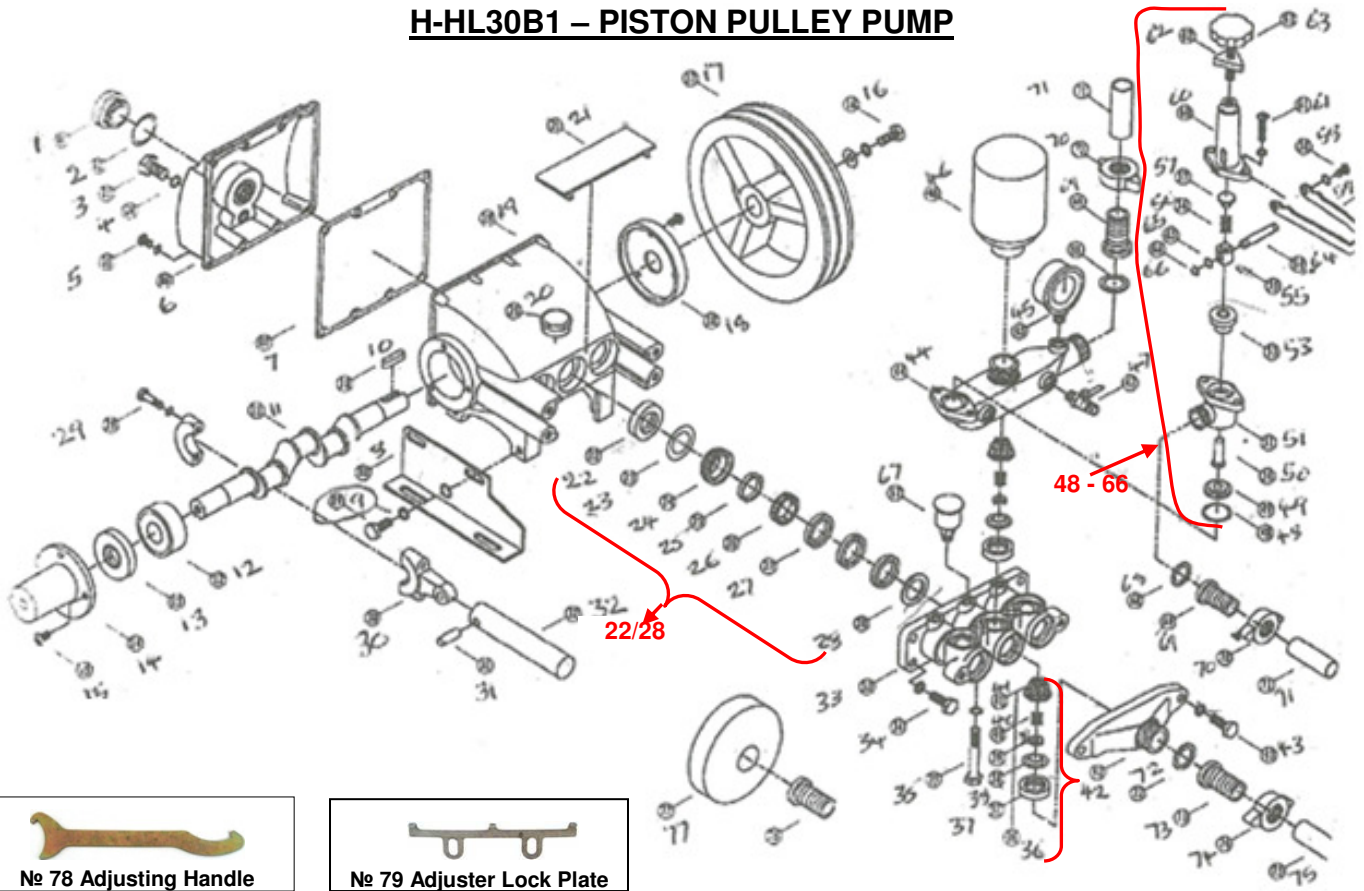
Replacement parts are not manufactured, sold or warranted by O.E.M's and any part numbers and or descriptions are used for identification purposes only.

Manufacturers names, numbers and descriptions are used for reference purposes only and it is not implied that any part listed is the product of the manufacturers.

All pictures and drawings are for reference purposes only; any specifications appearing in any documents emanating from The Company are approximate only and are subject to modifications without notice.

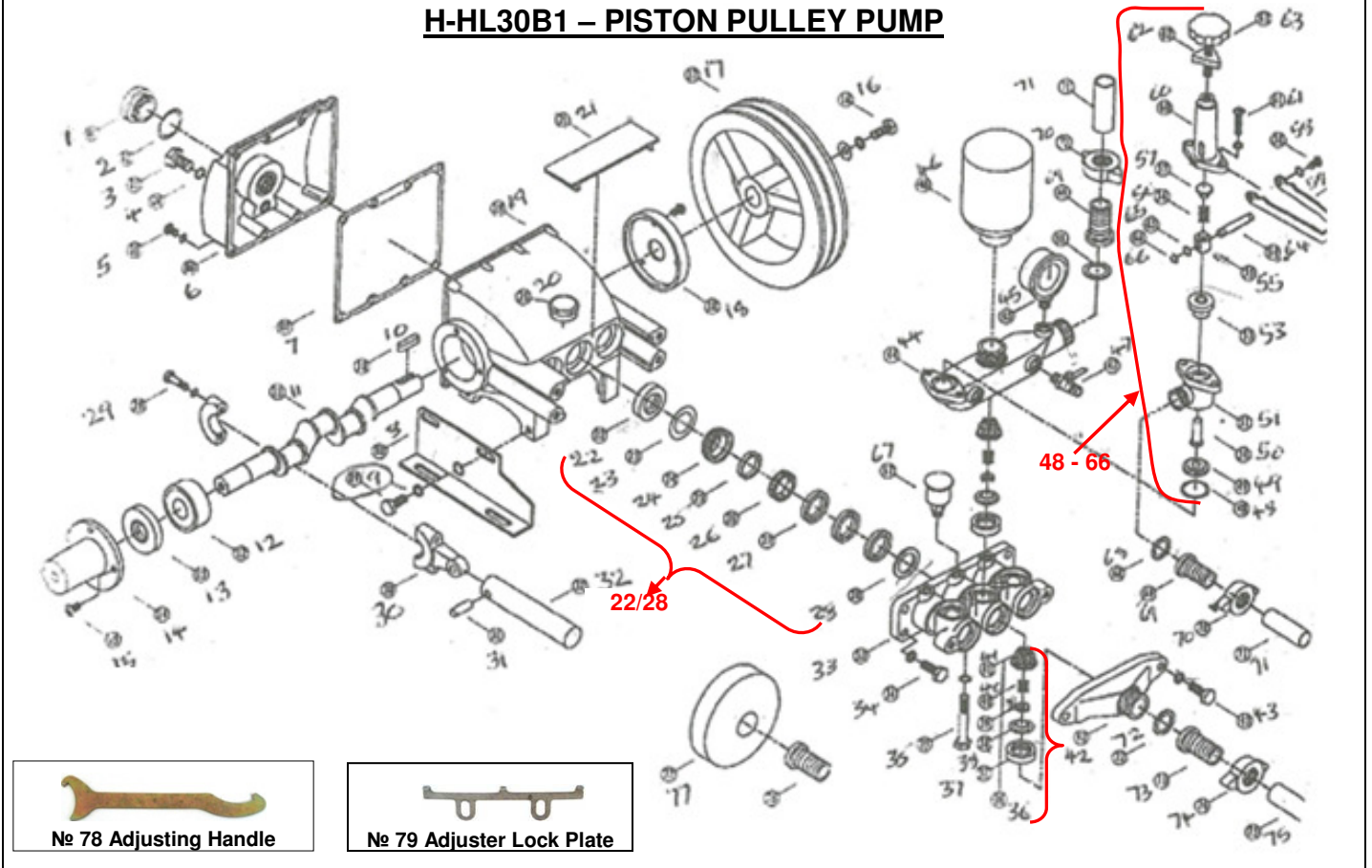
All rights reserved, material contained in this publication for which copyright is acknowledged. No part of this publication may be reproduced or transmitted in any form or by any means without written permission of the copyright holder. Copyright Hoffmann International©2012.

H-HL30B1 – PISTON PULLEY PUMP



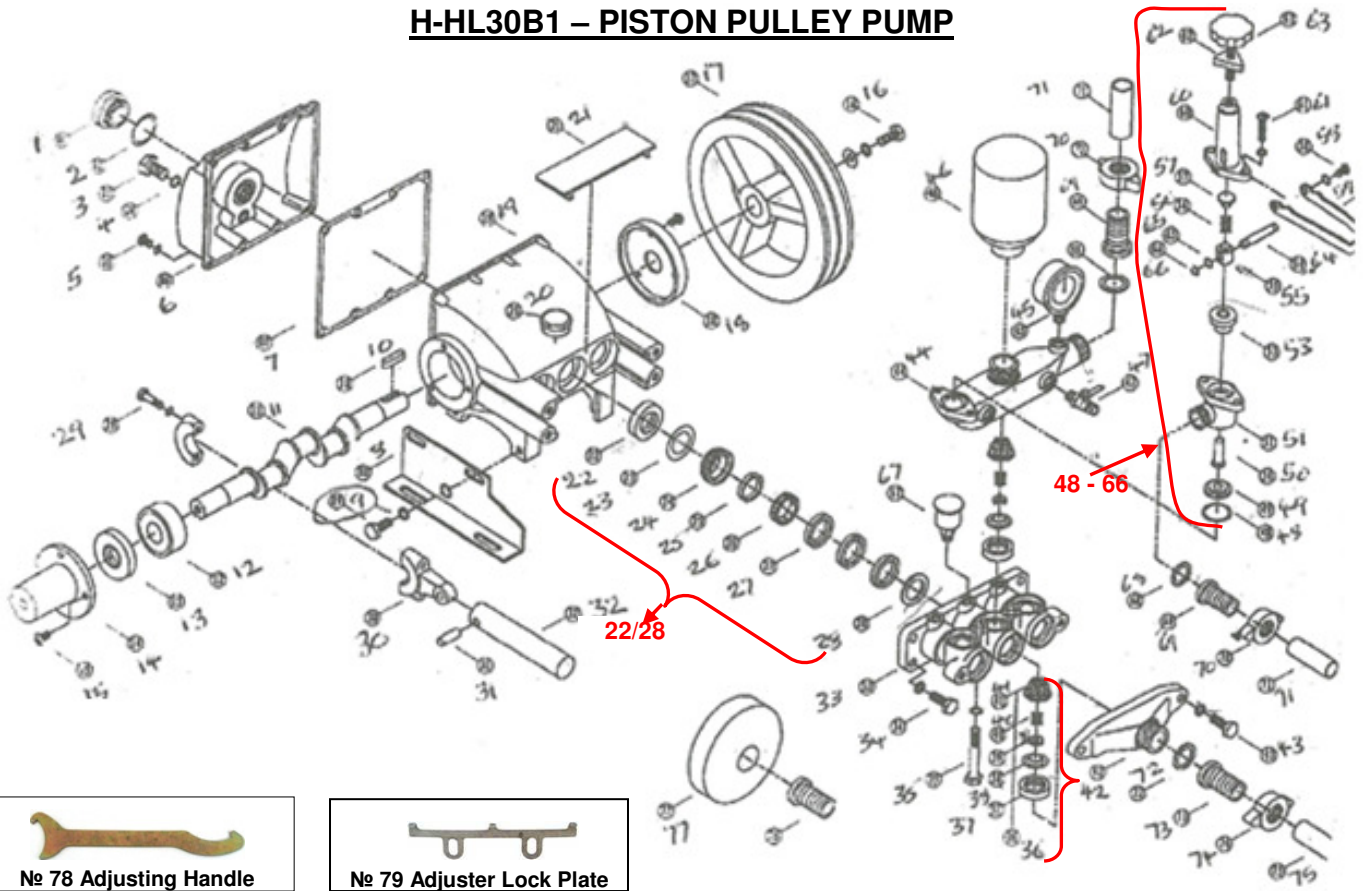
No.	Description	Part No
1	Oil Gauge	HL30B1-C0001
2		
3	Drain Plug	HL30B1-C0003
4	'O' Ring, Drain Plug	HL30B1-C0004
5	Bolt, Crankcase Cover	HL30B1-C0005
6	Crankcase Cover	HL30B1-C0006
7	Gasket, Crankcase Cover	HL30B1-C0007
8	Crankcase Base-Set of 2	HL30B1-C0008-2
9	Bolt/Turret Screw	HL30B1-C0009
10	Flat Key, Crankshaft	HL30B1-C0010
11	Crankshaft	HL30B1-C0011
12	Bearing, Crankshaft	HL30B1-C0012
13	Oil Seal, Crankshaft	HL30B1-C0013
14	Crankshaft Cover	HL30B1-C0014-1
15	Bolt, Cross Screw	HL30B1-C0015
16	Bolt	HL30B1-C0016
17	V-Pulley	HL30B1-C0017-1
18	Ball Bearing Case	HL30B1-C0018
19	Crankcase	HL30B1-C0019
20	Oil Inlet Cover (Fits all Sizes)	HL30B1-C0020-1
21	Dust Proof Cover	HL30B1-C0021
22	Plunger Oil Seal	HL30B1-C0022

H-HL30B1 – PISTON PULLEY PUMP



No.	Description	Part No
23	Complete Seal Kit	HL30B1-C0022-28
24	Adjusting Ring	HL30B1-C0024
25	Grease Seal	HL30B1-C0025
26	Grease Ring	HL30B1-C0026
27	V-Packing	HL30B1-C0027
28	V-Packing Seat	HL30B1-C0028
29	Bolt	
30	Conrod	HL30B1-C0030
31	Plunger Pin	HL30B1-C0031
32	Plunger	HL30B1-C0032-1
33	Cylinder	HL30B1-C0033-1
34	Bolt, 10x30 ^{mm}	HL30B1-C0034
35	Bolt 8x55 ^{mm}	HL30B1-C0035
36	Valve Assembly	HL30B1-C0036-1
37	Valve Seal	
38	Valve Seat	
39	Valve Flat	
40	Valve Spring	
41	Valve Body	
42	Suction Chamber	HL30B1-C0042-1
43	Bolt, 8x34 ^{mm} /Suction Chamber	HL30B1-C0043

H-HL30B1 – PISTON PULLEY PUMP

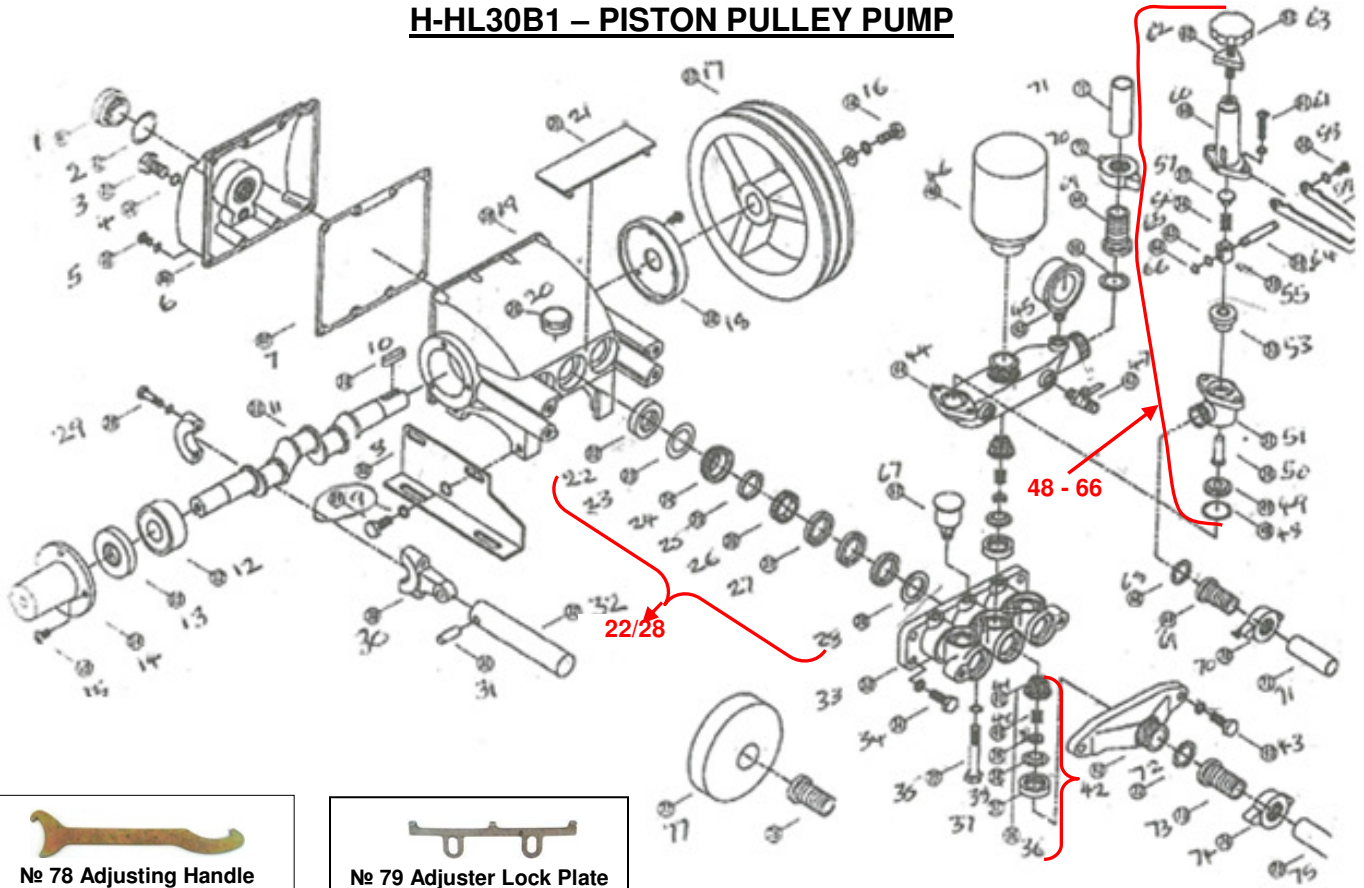


№ 78 Adjusting Handle

№ 79 Adjuster Lock Plate

No.	Description	Part No
44	Water Outlet Chamber	HL30B1-C0044
45	Pressure Gauge	HL30B1-C0045
46	Air Chamber	HL30B1-C0046
47	Cock Valve	HL30B1-C0047-1
48	Unloader Assembly	HL30B1-C0048-66
49	Spring Washer	HL30B1-C0049
50	Body Overflow Spindle	
51	Body Overflow	
52		
53	Oil Seal	
54		
55	Pressure Adjusting Slip	
56	Pressure Adjusting Spring	
57	Spring Upper Plug	
58	Bolt	
59	Handle	
60	Spring Box	
61	Bolt	
62	Adjusting Pressure Wheel	
63	Adjust Pressure Knob	
64	Transverse Pin	
65	Flat Pad	
66	Spring Blocking Ring	

H-HL30B1 – PISTON PULLEY PUMP



No.	Description	Part No
67	Grease Cup	HL30B1-C0067-1
68	Overflow Hose Washer	
69	Overflow Hose Core	
70	Overflow Hose Butterfly Cap	HL30B1-C0070
71	Overflow Hose	
72	Suction Hose Washer	HL30B1-C0072
73	Suction Hose Male Joint	HL30B1-C0073
74	Suction Hose Wing Nut	HL30B1-C0074
75	Suction Hose	HL30B1-C0075
76	Suction Hose Core	
77	Suction Strainer Assly	HL30B1-C0077
78	Adjusting Handle	HL30B1-Adj Handle
79	Adjuster Lock Plate	HL30B1-Adj Lock PI