

# HOFFMANN POWER PRODUCTS

## PARTS LIST 2017

### H-HL22B1 – PISTON PULLEY PUMP



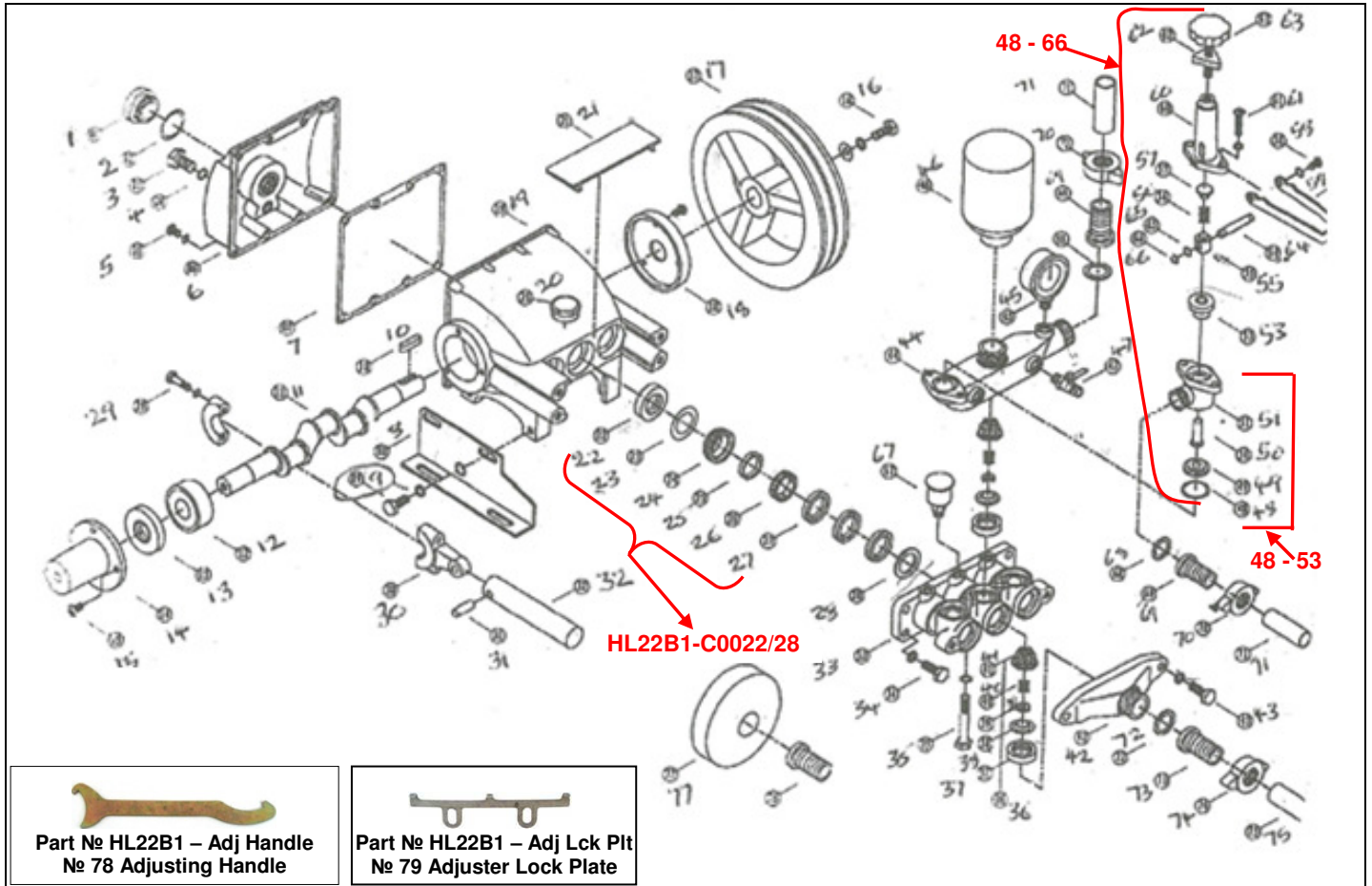
ALL PARTS ARE SUBJECT TO STANDARD HOFFMANN TERMS AND CONDITIONS OF SALE 2010

Replacement parts are not manufactured, sold or warranted by O.E.M's and any part numbers and or descriptions are used for identification purposes only.

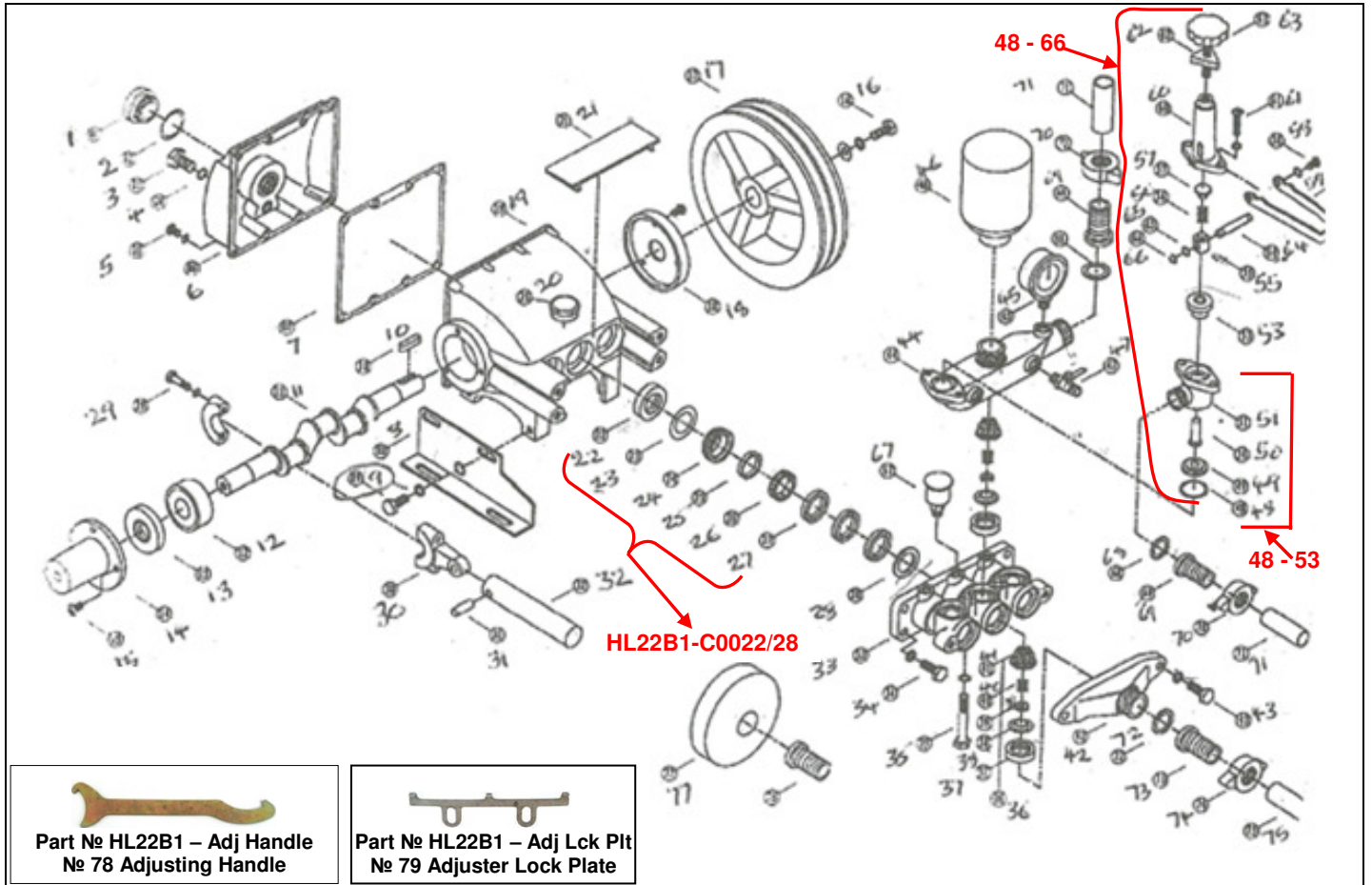
Manufacturers names, numbers and descriptions are used for reference purposes only and it is not implied that any part listed is the product of the manufacturers.

All pictures and drawings are for reference purposes only; any specifications appearing in any documents emanating from The Company are approximate only and are subject to modifications without notice.

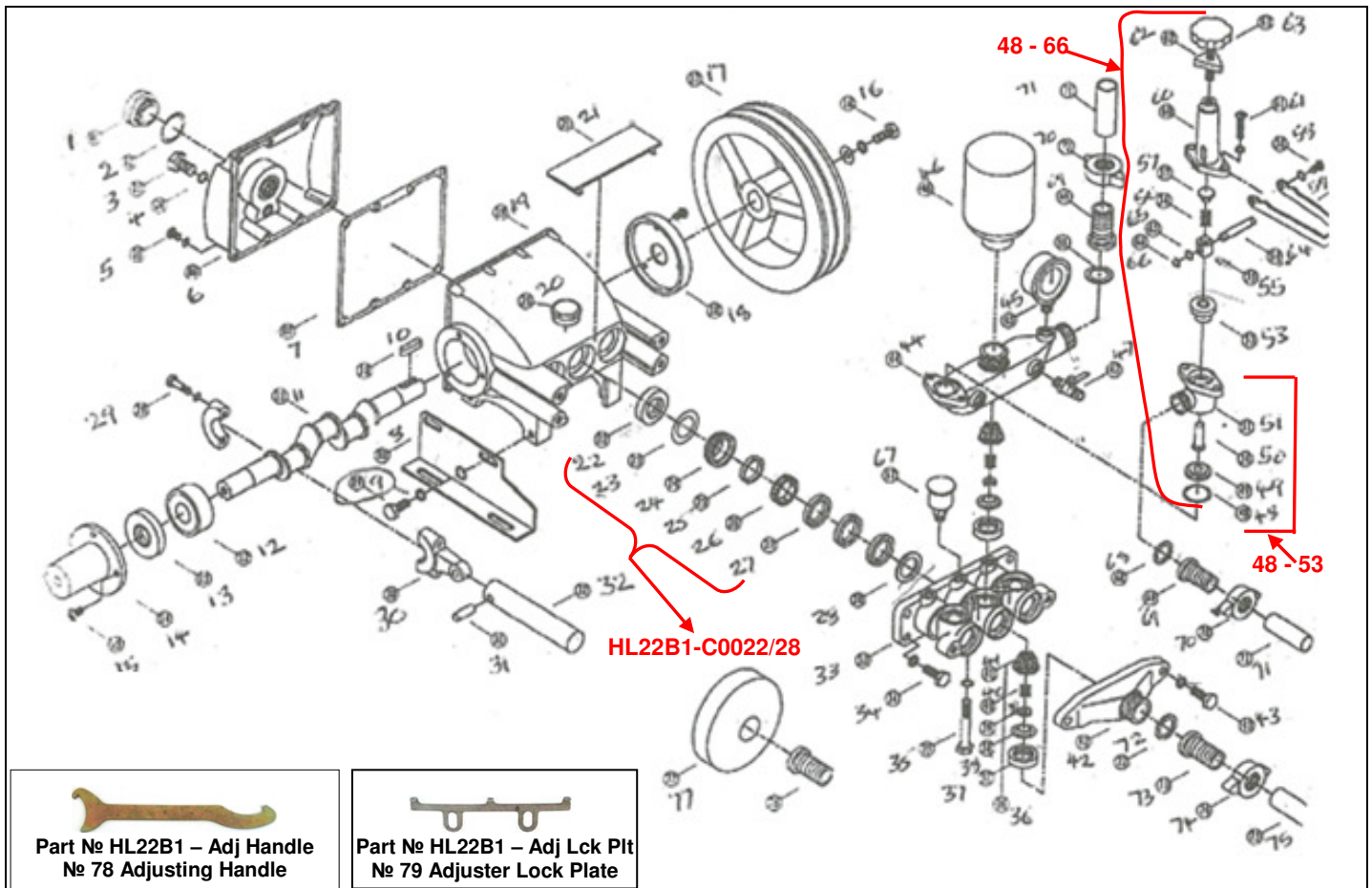
All rights reserved, material contained in this publication for which copyright is acknowledged. No part of this publication may be reproduced or transmitted in any form or by any means without written permission of the copyright holder. Copyright Hoffmann International©2012.



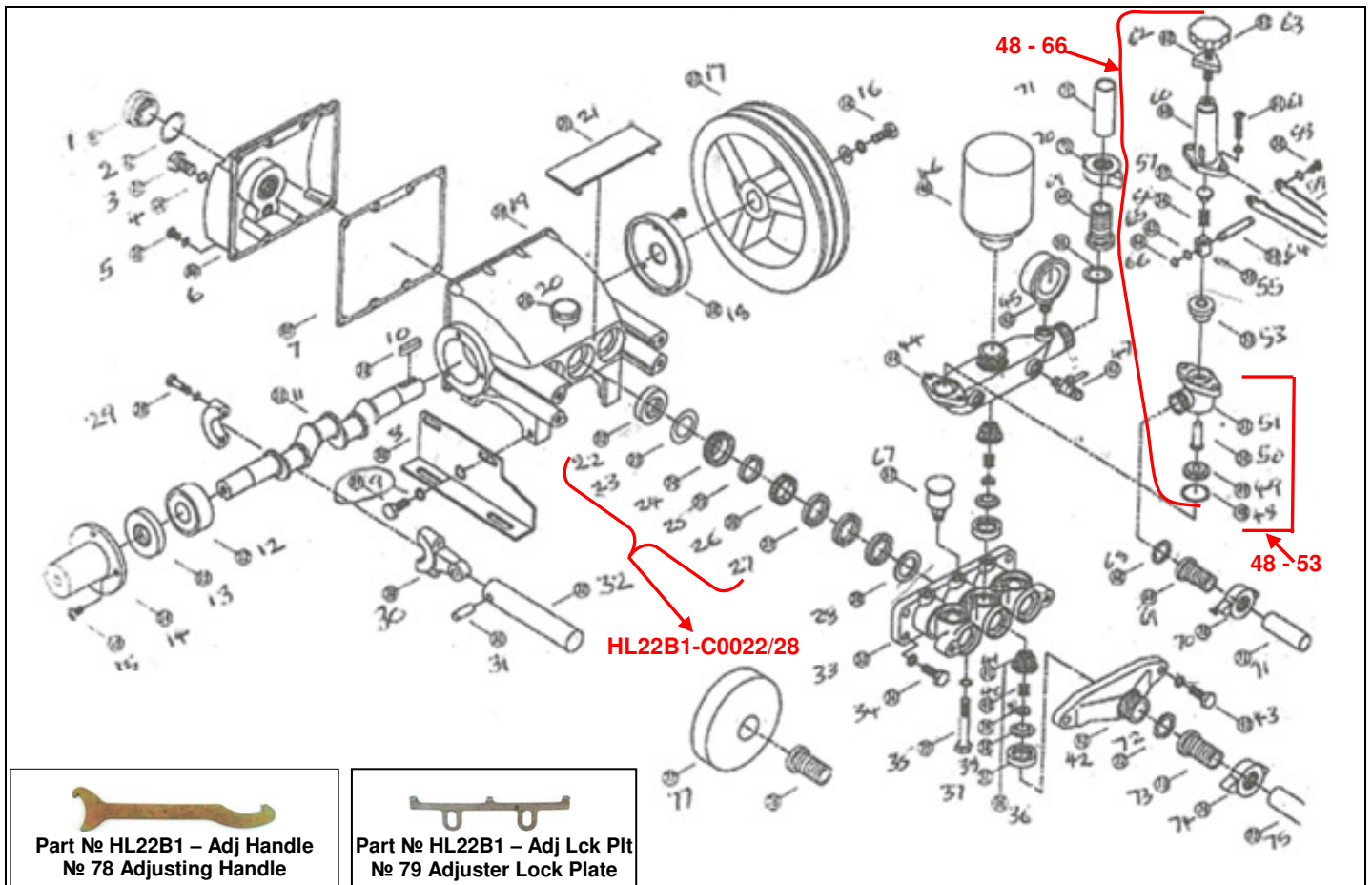
No.	Description	Part No
1	Oil Gauge	HL22B1-C0001-1
2	Oil Gauge 'O' Ring	
3	Drain Plug	HL22B1-C0003
4	'O' Ring, Drain Plug	
5	Bolt 5 <sup>mm</sup> x 13.5 <sup>mm</sup>	HL22B1-C0005
6	Crankcase Cover	HL22B1-C0006
7	Crankcase Cover Gasket	HL22B1-C0007
8	Crankcase Base (Set of Two)	HL22B1-C0008-2
9	Bolt – Crankcase Base	
10	Flat Key – for Crankshaft	HL22B1-C0010
11	Crankshaft	HL22B1-C0011
12	Bearing	HL22B1-C0012
13	Oil Seal, Crankshaft	HL22B1-C0013
14	Bearing Cover	
15	Bolt 4 <sup>mm</sup> x 7.5 <sup>mm</sup>	HL22B1-C0015
16	Bolt, V Pulley	
17	V Pulley	HL22B1-C0017-1
18	Ball Bearing Case	HL22B1-C0018
19	Crankcase	HL22B1-C0019
20	Oil Inlet Cover	HL22B1-C0020-1
21	Dust Proof Cover	HL22B1-C0021



No.	Description	Part No
22	Plunger Oil Seal	HL22B1-C0022
22/28	Complete Seal Kit	HL22B1-C0022/28
23	V. Packing (Seal Kit)	HL22B1-C0023
24	Seal	
25	Grease Seal	HL22B1-C0025
26	Grease Ring	HL22B1-C0026
27	Seal	HL22B1-C0027
28	V-Packing Seal	HL22B1-C0028
29	Bolt	
30	Conrod	HL22B1-C0030
31	Plunger Pin	HL22B1-C0031
32	Plunger 22 <sup>mm</sup>	HL22B1-C0032-1
33	Cylinder	HL22B1-C0033-1
34	Bolt, 7.2 <sup>mm</sup> x 15 <sup>mm</sup>	HL22B1-C0034
35	Bolt	
36	Valve Assly	HL22B1-C0036-1
37	Valve Seal	
38	Valve Seat	
39	Valve Flat	
40	Valve Spring	
41	Valve Body	



No.	Description	Part No
42	Suction Chamber	HL22B1-C0042-1
43	Bolt, 7 <sup>mm</sup> x 30 <sup>mm</sup>	HL22B1-C0043
44	Outlet Chamber	HL22B1-C0044
45	Pressure Gauge	HL22B1-C0045
46	Air Chamber	HL22B1-C0046
47	Cock Valve (Fits All)	HL22B1-C0047-1
48-53	Overflow Seat Assly	HL22B1-C0048-53
48-66	Unloader Assly	HL22B1-C0048-66
49	Flat Valve	
50	Body Overflow Spindle	
51	Body Overflow	
53	Oil Seal	
55	Pressure Adjusting Slip	
56	Pressure Adjusting Spring	
57	Spring Upper Plug	
58	Bolt	
59	Handle	
60	Spring Box	
61	Bolt	
62	Adjust Pressure Wheel	
63	Pressure Adjust Screw c/w Flynut	HL22B1-C0063
64	Transverse Pin	
65	Flat Pad	



No.	Description	Part No
66	Spring Blocking Ring	
67	Grease Cup	HL22B1-C0067-1
68	Overflow Packing	HL22B1-C0068
69	Male Joint	HL22B1-C0069
70	Male Joint	HL22B1-C0070
71	Overflow Hose	
72	Suction Packing	HL22B1-C0072
73	Male Joint	HL22B1-C0073
74	Hose Connector	HL22B1-C0074
75	Suction Hose	HL22B1-C0075
76	Suction Hose Core	
77	Suction Strainer Assly	HL22B1-C0077
78	Adjusting Handle	HL22B1-Adj. Handle
79	Adjuster Lock Plate	HL22B1-AdjLckPlt