

HOFFMANN POWER PRODUCTS

PARTS LIST 2012

HOFFMANN

HD1115 AND HD1110 Horizontal



ALL PARTS ARE SUBJECT TO STANDARD HOFFMANN TERMS AND CONDITIONS OF SALE 2010

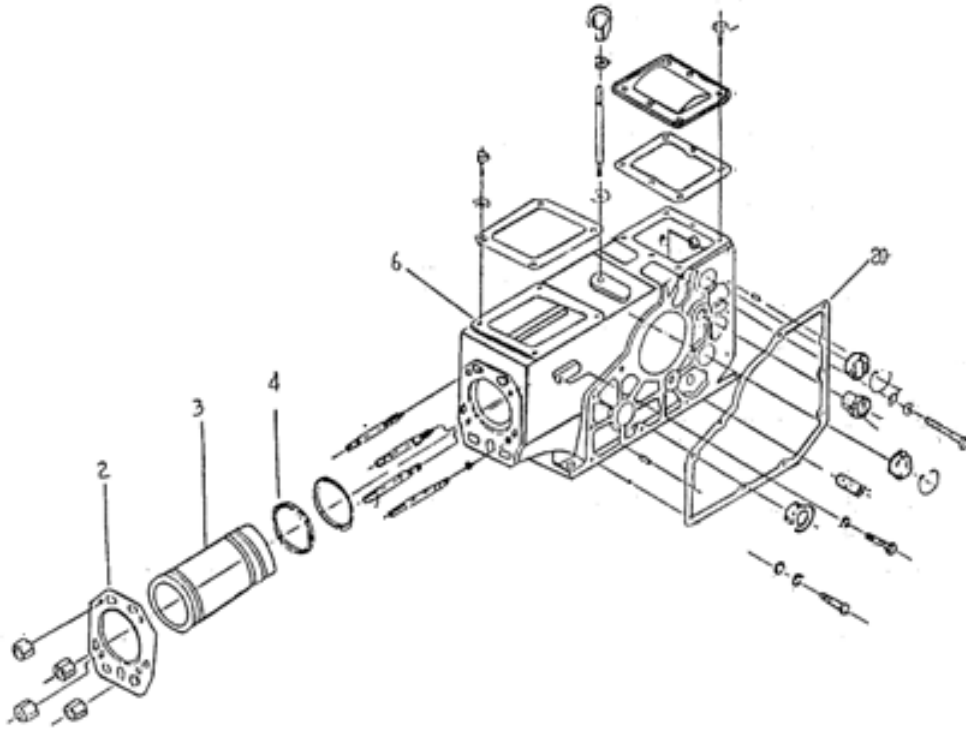
Replacement parts are not manufactured, sold or warranted by O.E.M's and any part numbers and or descriptions are used for identification purposes only.

Manufacturers names, numbers and descriptions are used for reference purposes only and it is not implied that any part listed is the product of the manufacturers.

All pictures and drawings are for reference purposes only; any specifications appearing in any documents emanating from The Company are approximate only and are subject to modifications without notice.

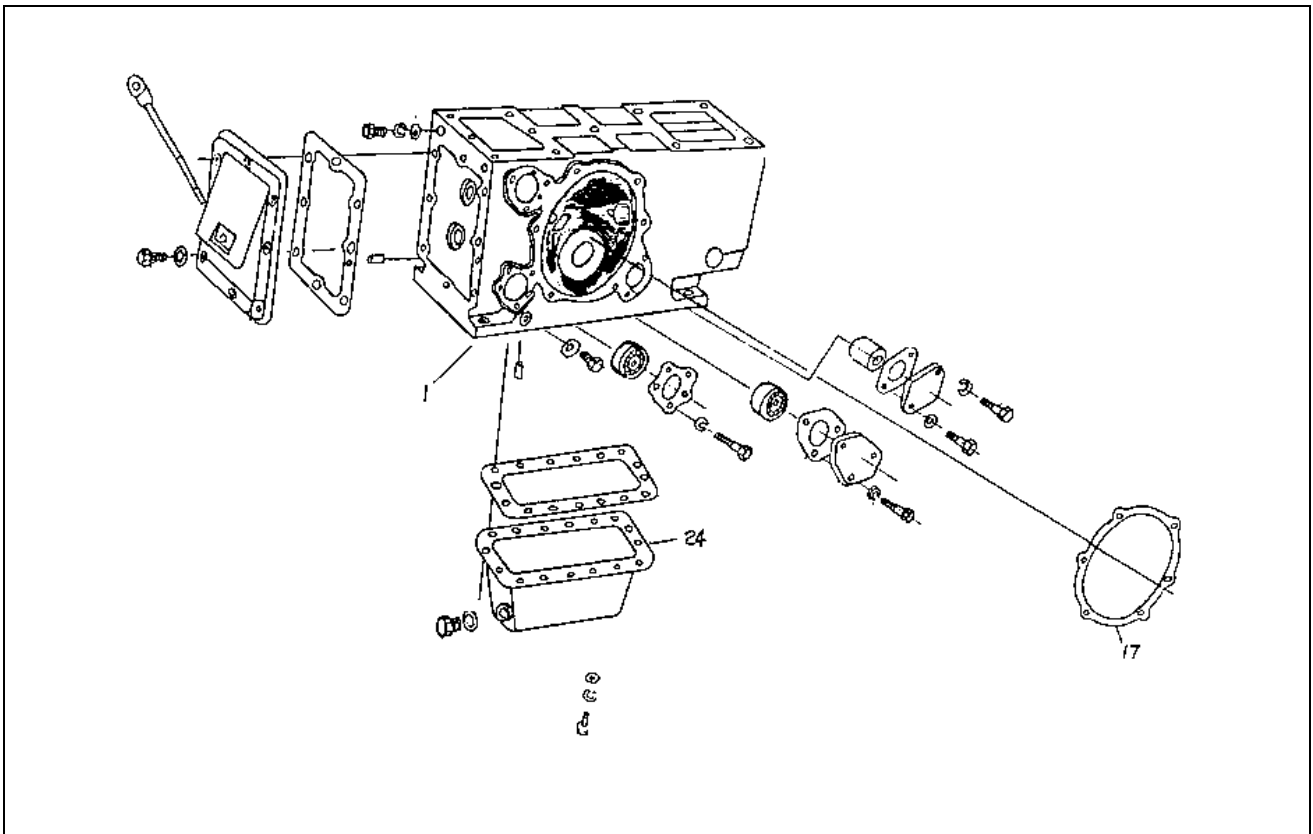
All rights reserved, material contained in this publication for which copyright is acknowledged. No part of this publication may be reproduced or transmitted in any form or by any means without written permission of the copyright holder. Copyright Hoffmann International©2012.

PART TWO PARTS LIST WITH ILLUSTRATIONS
Fig. I Cylinder Block Assembly



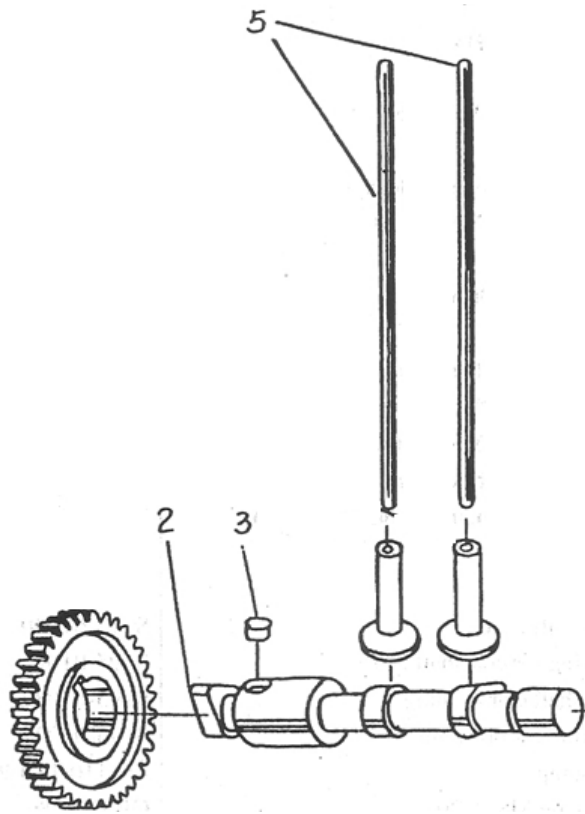
Part	Description	Qty	Part No.
2	Cylinder head gasket	1	HD1110-01002/HD1115-01003
3	Cylinder liner	1	HD1110-01004/HD1115-01004
4	Cylinder liner water seal ring	2	HD1110-01005/HD1115-01005
6	Cylinder block	1	HD1115-01001/HD1110-01101
20	Gear casing packing	1	HD1110-01011 Fit HD1115

Fig. II Cylinder Block Assembly



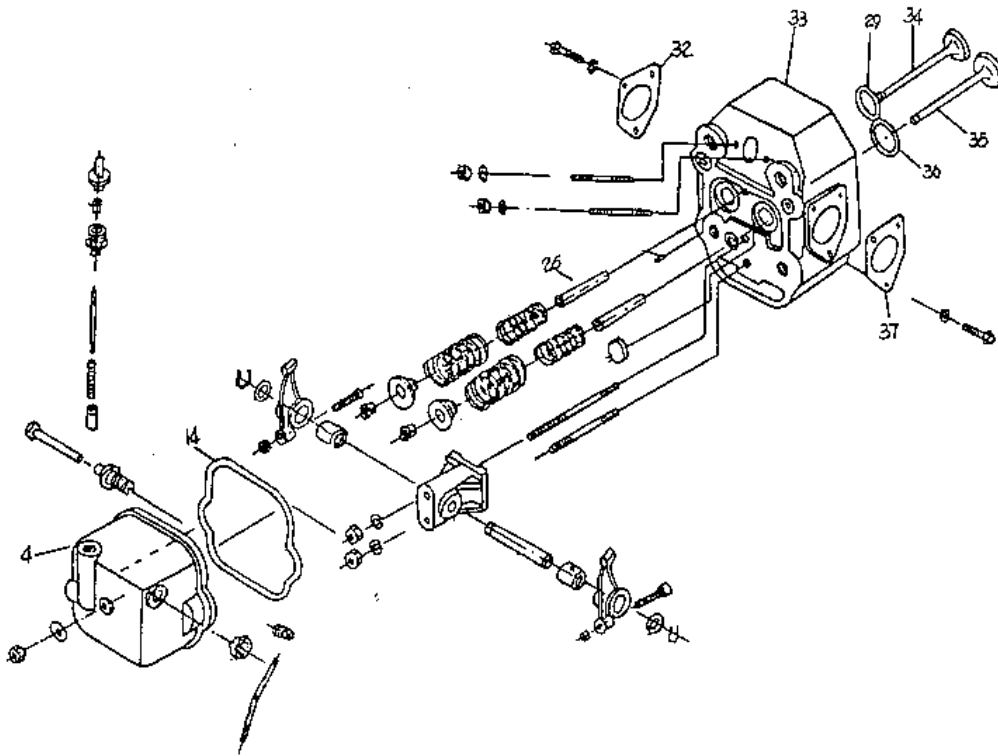
Part	Description	Qty	Part No.
1	Cylinder block	1	HD1110-01101 HD1115-01001
17	Main bearing housing mounting shim	1	HD1110-01006 Fit HD1115
24	Oil sump	1	HD1110-01200 Fit HD1115

Fig. III Cylinder Assembly



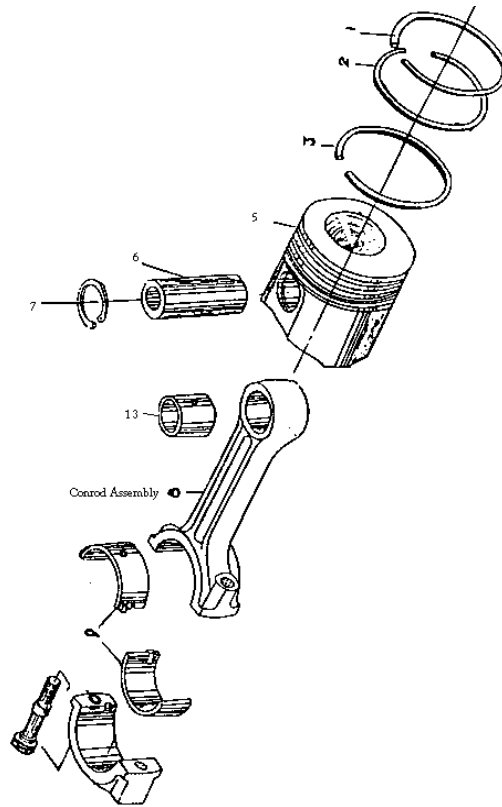
Part	Description	Qty	Part No.
2	Camshaft	1	HD1110-02001 Fit HD1115
3	Flat key 10 x 16	2	GB1096-79
5	Valve push rod	2	HD1110-02002 Fit HD1115

Fig. IV Cylinder Head Assembly



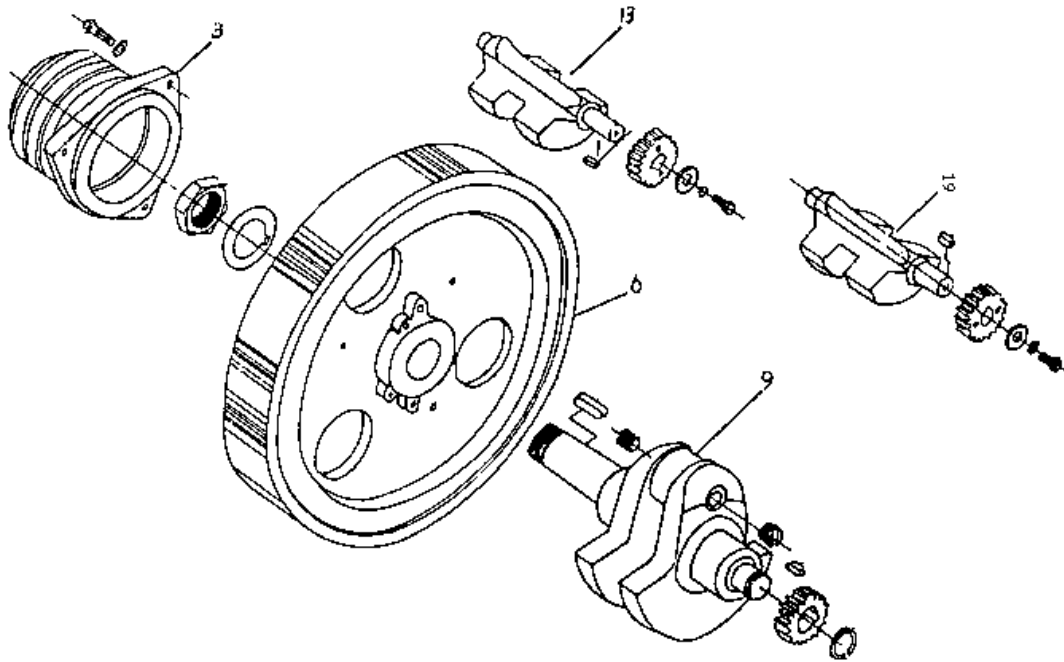
Part	Description	Qty	Part No.
4	Cylinder head cover	1	HD1110-03101 Fit HD1115
14	Cylinder head cover packing	1	HD1110-03003 Fit HD1115
25	Valve guide	2	HD1110-03202 Fit HD1115
29	Valve seal (exhaust)	1	HD1110-03204 Fit HD1115
32	Exhaust packing	1	HD1110-03004 Fit HD1115
33	Cylinder head	1	HD1110-03203 Fit HD1115
34	Exhaust valve	1	HD1110-03001 Fit HD1115
35	Intake valve	1	HD1110-03002 Fit HD1115
36	Intake valve seat	1	HD1110-03201 Fit HD1115
37	Exhaust pipe packing	1	HD1110-03005 Fit HD1115

Fig. V Piston and Connecting Rod Assembly



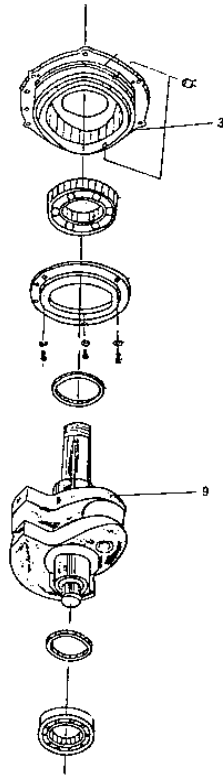
Part	Description	Qty	Part No.
1	Compression ring (1)	1	HD1110-04001/2/ HD1115-04001/2
2	Compression ring (2)		
3	Compression ring (3)		
5	Piston	1	HD1110-04003/HD1115-04003
6	Piston pin	1	HD1110-04004/HD1115-04004
7	Circlip for piston pin 36	2	HD12-04004 Fit HD1115
8	Connecting rod assembly	1	HD1115-04202/HD1110-04202
9	Connecting rod bearing	2	HD1110-04203 Fit HD1115
13	Small end conrod bush	1	HD1110-04201 Fit HD1115

Fig. IV Cylinder Head Assembly



Part	Description	Qty	Part No.
3	V-Belt puller	1	HD1110-05001 Fit HD1115
6	Flywheel	1	HD1110-05100 Fit HD1115
9	Crankshaft	1	HD1110-05009/HD1115-05009
13	Upper balancing shaft	1	HD1110-05010 Fit HD1115
19	Lower balancing shaft	1	HD1110-5006 Fit HD1115

Fig. VII Flywheel Crankshaft and Balancing Mechanism



Part	Description	Qty	Part No.
3	Main bearing housing (HD1115)	1	HD1110-05005 Fit HD1115
9	Crankshaft	1	HD1110-05009/HD1115-05009

Fig. VIII Hopper Assembly

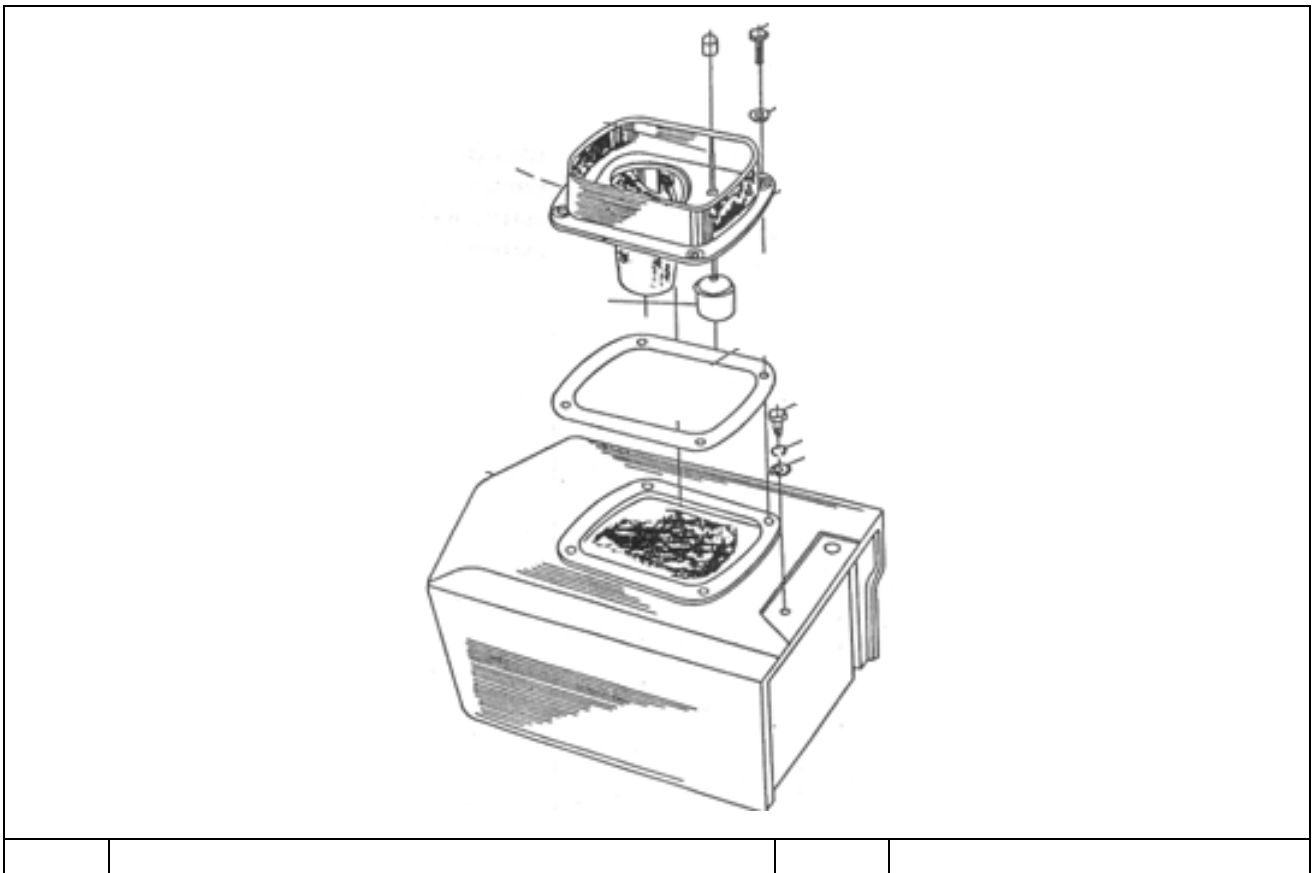
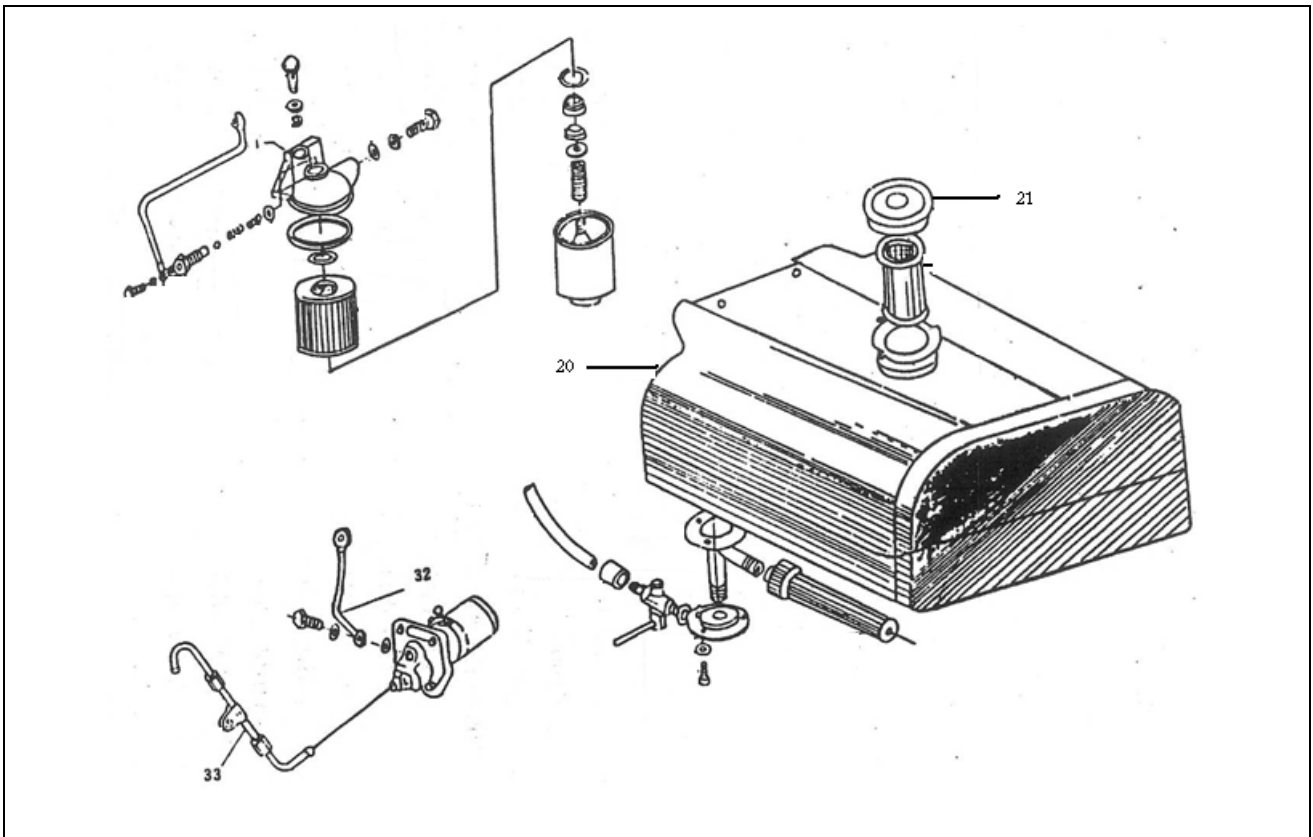
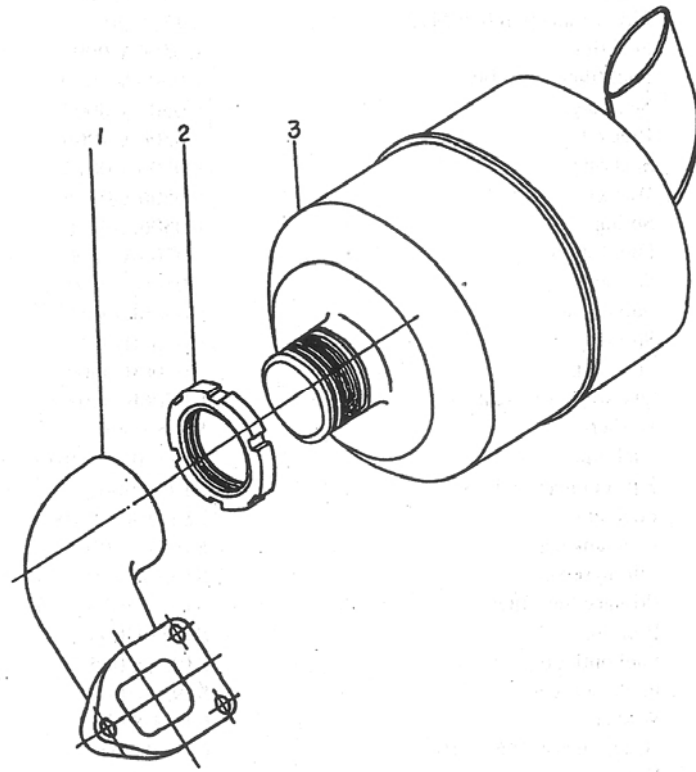


Fig. IX Fuel System



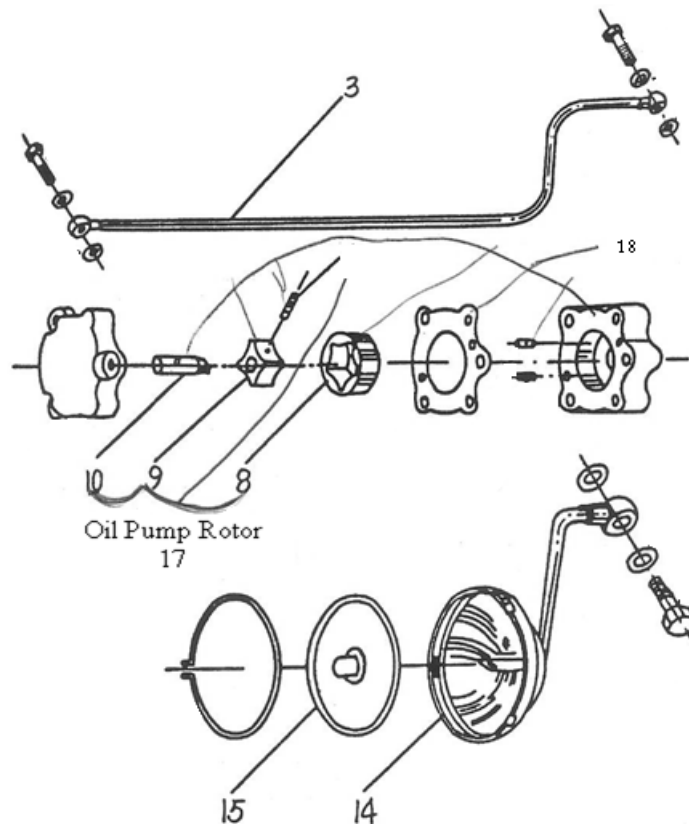
Part	Description	Qty	Part No.
20	Fuel tank	1	HD1110-07100 Fit HD1115
21	Fuel tank cap	1	HD1110-07300 Fit HD1115/1105 Fit 192
32	Pipe welding	1	HD1110-073000 Fit HD1115
33	High pressure fuel pipe and its accessories	1	HD1110-07200 Fit HD1115

Fig. X Exhaust System



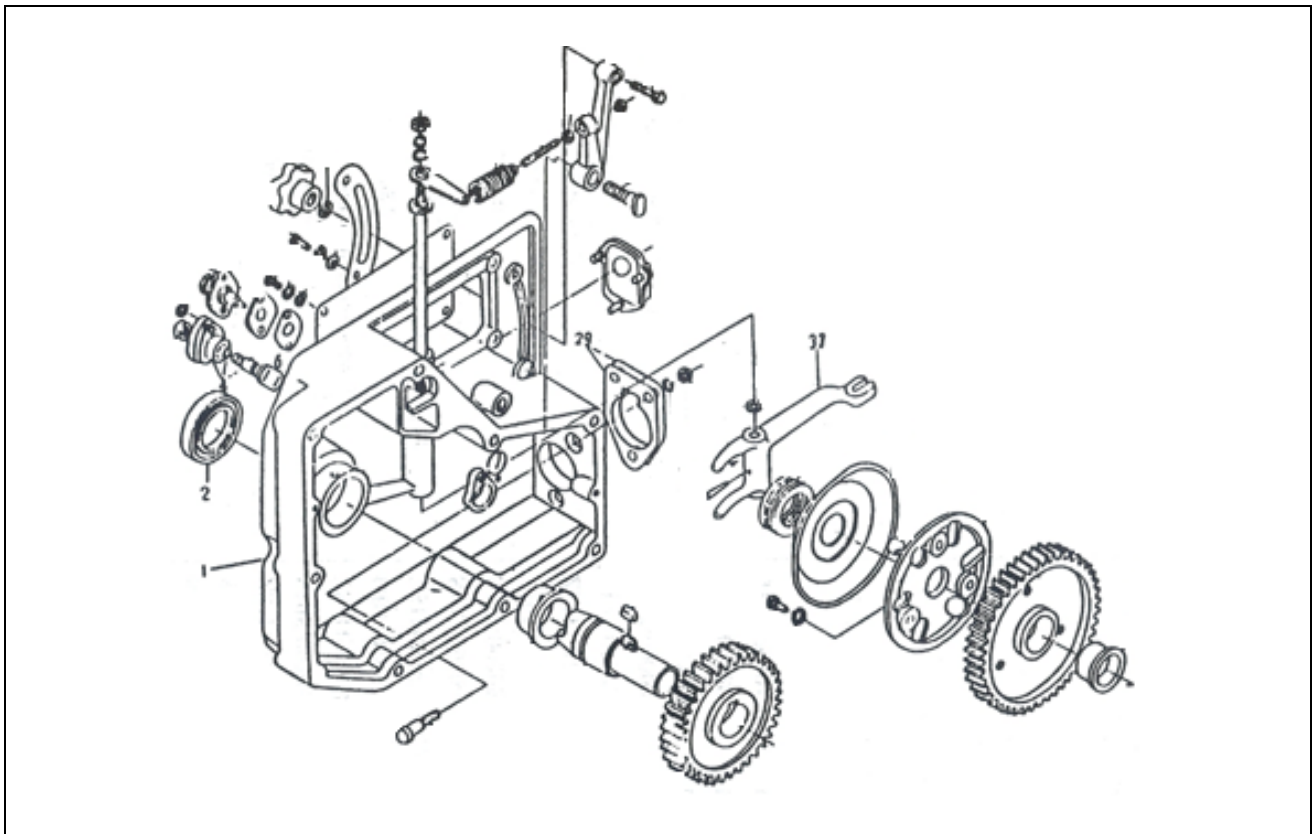
Part	Description	Qty	Part No.
1	Exhaust pipe	1	HD1110-08002 Fit HD1115
2	Lock nut	1	HD1110-08001 Fit HD1115
3	Silencer	1	HD1110-08100 Fit HD1115

Fig. XI Lubrication System



Part	Description	Qty	Part No.
3	Oil pipe	1	HD1119-09100 Fit HD1115
14	Oil strainer body with suction pipe	1	HD1110-09310 Fit HD1115
15	Oil strainer screen	1	HD1110-09320 Fit HD1105
17	Oil pump rotor (fits HD1110-HD1115)	1	HD1110-09204 Fit HD1115
18	Oil pump assembly (fits HD1115)	1	HD1110-Oil Pump

Fig. XII Gear Casing Assembly



Part	Description	Qty	Part No.
1	Gear casing	1	HD1110-10001 Fit HD1115
2	Oil seal ring Φ 35 x 58 x 12	1	HD1110-35X58X1 Fit HD175A
37	Governor fork	1	HD1110-10111 Fit HD1115

Fig. XIV Fuel Injection Pump

