

# HOFFMANN POWER PRODUCTS

## PARTS LIST 2015

### HOFFMANN

## H-CP50HX – 2" CHEMICAL PUMP



ALL PARTS ARE SUBJECT TO STANDARD HOFFMANN TERMS AND CONDITIONS OF SALE 2010

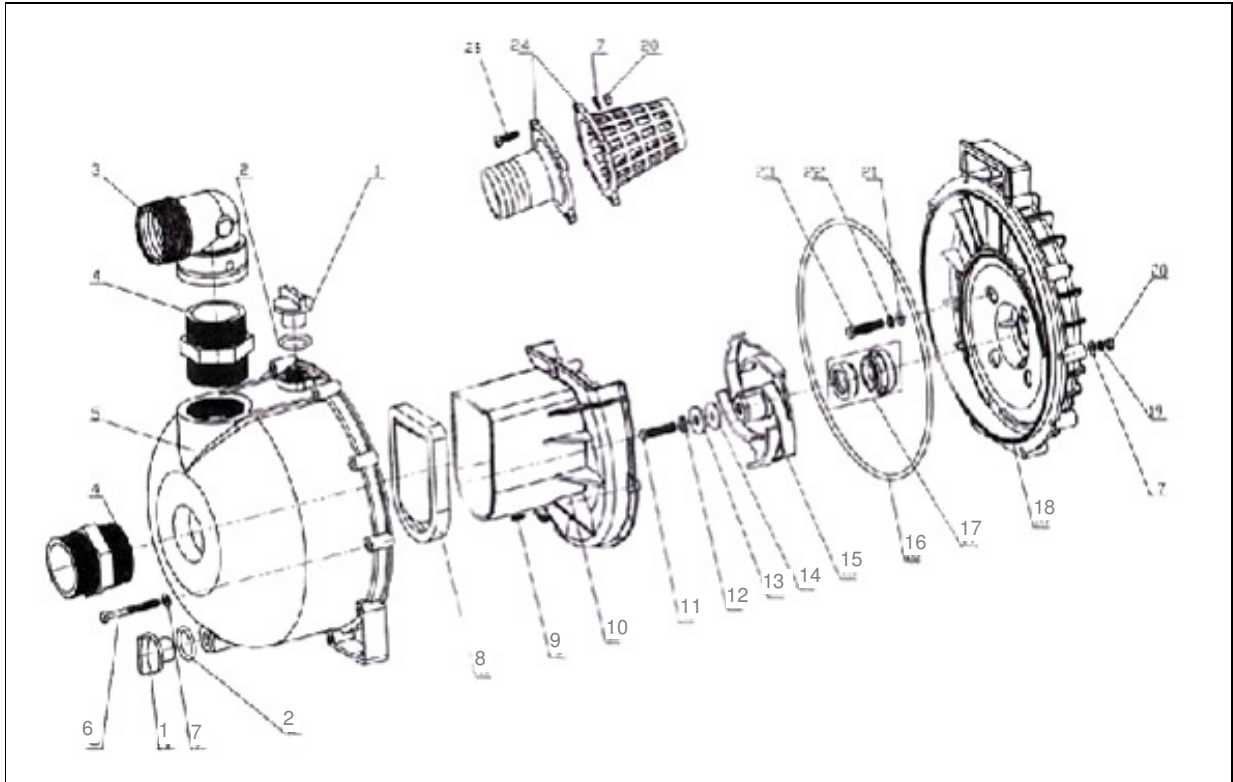
Replacement parts are not manufactured, sold or warranted by O.E.M's and any part numbers and or descriptions are used for identification purposes only.

Manufacturers names, numbers and descriptions are used for reference purposes only and it is not implied that any part listed is the product of the manufacturers.

All pictures and drawings are for reference purposes only; any specifications appearing in any documents emanating from The Company are approximate only and are subject to modifications without notice.

All rights reserved, material contained in this publication for which copyright is acknowledged. No part of this publication may be reproduced or transmitted in any form or by any means without written permission of the copyright holder. Copyright Hoffmann International©2012.

**PART TWO PARTS LIST WITH ILLUSTRATIONS**  
**Fig. I Cylinder Block Assembly**



Part	Description	Qty	Part No.
1	Plug ¾ - Nylon	2 pcs	} H-50ZB-008/9
2	O-Ring – Rubber	2 pcs	
3	Discharge Flange 2" Outlet	1 pc	CP50-660250011
4	Pipe Joint 2"	2 pcs	CP50-661630001
5	Pump Housing 2" - Plastic	1 pc	H-50HX-016
6	Bolt M6x65 – Stainless Steel	10 pcs	CP50-380070265
7	Flat Washer φ6 – Stainless Steel	24 pcs	GB97.1-85/6
8	Check Valve 2" – Rubber	1 pc	HP-CP50-300209
9	Screw M4x10	2 pcs	GBT818-2000/41
10	Volute Casing 2" - Diffuser Plastic	1 pc	CP50-30020006
11	Bolt M8x35 – Stainless Steel	1 pc	GB5782-86/8X35
12	Spring Washer φ8 – Stainless Steel	1 pc	GB93-8
13	Flat Washer φ26/φ8 – Stainless Steel	1 pc	GB97.1-85/8
14	Flat Washer φ26/φ8 – Rubber	1 pc	H-50HX-012
15	Impeller 2" - Plastic	1 pc	HP-CP50-300200
16	Large O-Ring - Rubber	1 pc	HHP50-T51-196
17	Mechanical Seal	1 pc	H-50HX-015
18	Pump Cover	1 pc	CP50-30020001
19	Spring Washer φ6	10 pcs	GB97.1-85/6
20	Nut M6	14 pcs	GB6177-86
21	O-Ring φ8 - Rubber	4 pcs	Local
22	Flat Washer φ8	4 pcs	GB97.1-85/8
23	Bolt M8x35	4 pcs	GB5782-86/8X35
24	Filter 2" Strainer Nylon	1 pc	HP-CP50-300006
25	Bolt M6x20	4 pcs	GB5787-86/6X20