

# HOFFMANN POWER PRODUCTS

## PARTS LIST 2012

### 4" DIESEL PUMP



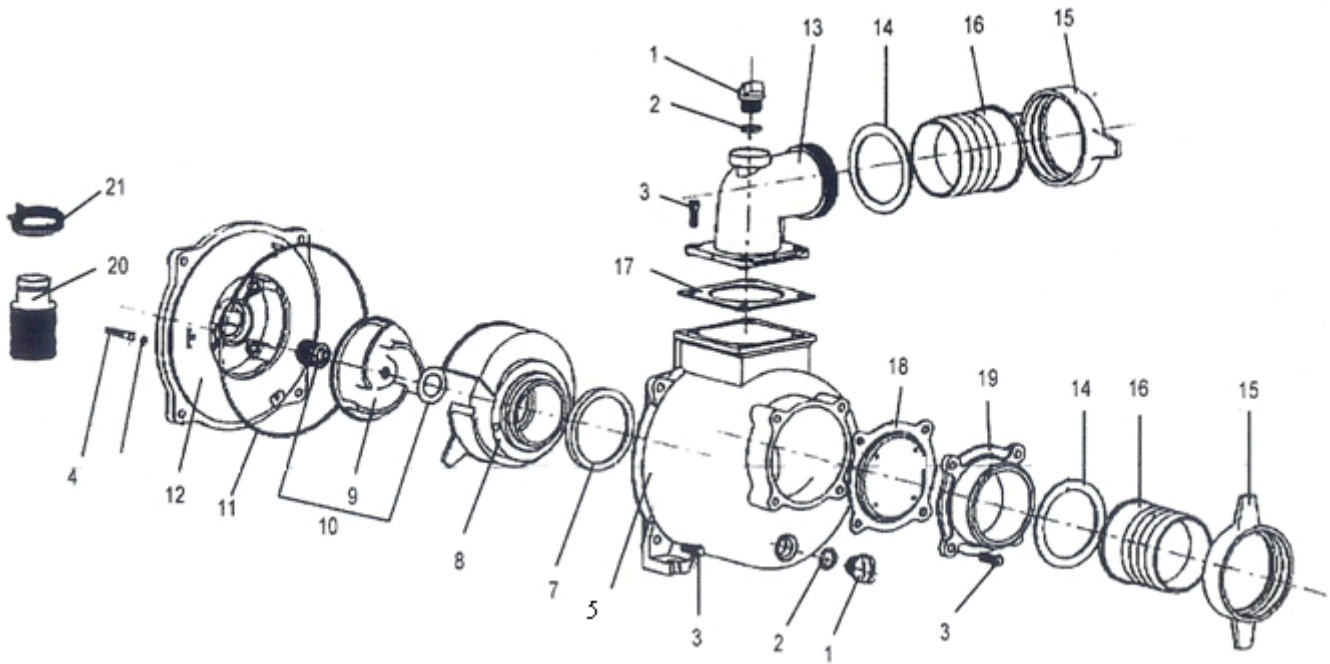
[ALL PARTS ARE SUBJECT TO STANDARD HOFFMANN TERMS AND CONDITIONS OF SALE 2010](#)

Replacement parts are not manufactured, sold or warranted by O.E.M's and any part numbers and or descriptions are used for identification purposes only.

Manufacturers names, numbers and descriptions are used for reference purposes only and it is not implied that any part listed is the product of the manufacturers.

All pictures and drawings are for reference purposes only; any specifications appearing in any documents emanating from The Company are approximate only and are subject to modifications without notice.

All rights reserved, material contained in this publication for which copyright is acknowledged. No part of this publication may be reproduced or transmitted in any form or by any means without written permission of the copyright holder. Copyright Hoffmann International©2012.



**4" DIESEL PUMP**

No	Description	QTY.	Part No.
1	Drain Plug M26X1.75	2	100DP-30020014
2	O-Ring 26X3.55 (GB3452.1-92)	2	100DP-30020014
3	Flange Bolt M10X35 (GB5787-86)	12	Local
4	Flange Bolt M8X50 (GB5787-86)	4	GBT5787-86/8X5
5	Pump Housing Body	1	100DP-30020008
7	Flow Diverter Cushion	1	100WP-30020007
8	Volute Casing	1	100DP-30020006
9	Impeller	1	100DP-30020005
10	Mechanical Water Seal	1	100DP-30020004
11	O-Ring 258X3.55 (GB3452.1-92)	1	100DP-30020003
12	Pump Cover	1	100DP-30020001
13	Output Flange	1	100DP-30020012
14	Sealing Round Rubber Ring	2	100DP-30000001
15	Metal Wing Nut	2	100DP-30000003
16	(Metal) Hose Connector	2	100DP-30000002
17	4 Hole Square Rubber Gasket	1	100DP-30020011
18	Check Rubber Flapper Valve	1	100DP-30020009
19	Screen Hose Barb	1	100DP-30020010
20	Strainer Assembly	1	100WP-10000006
21	Hose Clamp 4"	1	100WP-30000004