

HOFFMANN POWER PRODUCTS

PARTS LIST 2012

"S2" 2:1 REDUCTION PETROL ENGINES

6.5 HP 2.1/2.1C



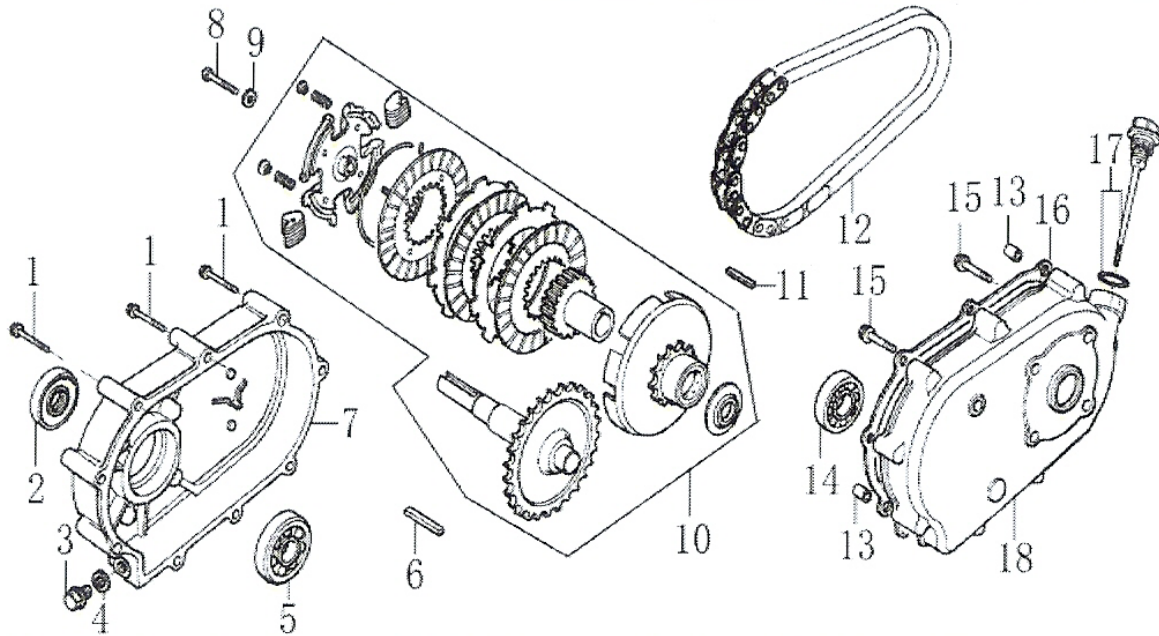
[ALL PARTS ARE SUBJECT TO STANDARD HOFFMANN TERMS AND CONDITIONS OF SALE 2010](#)

Replacement parts are not manufactured, sold or warranted by O.E.M.'s and any part numbers and or descriptions are used for identification purposes only.

Manufacturers names, numbers and descriptions are used for reference purposes only and it is not implied that any part listed is the product of the manufacturers.

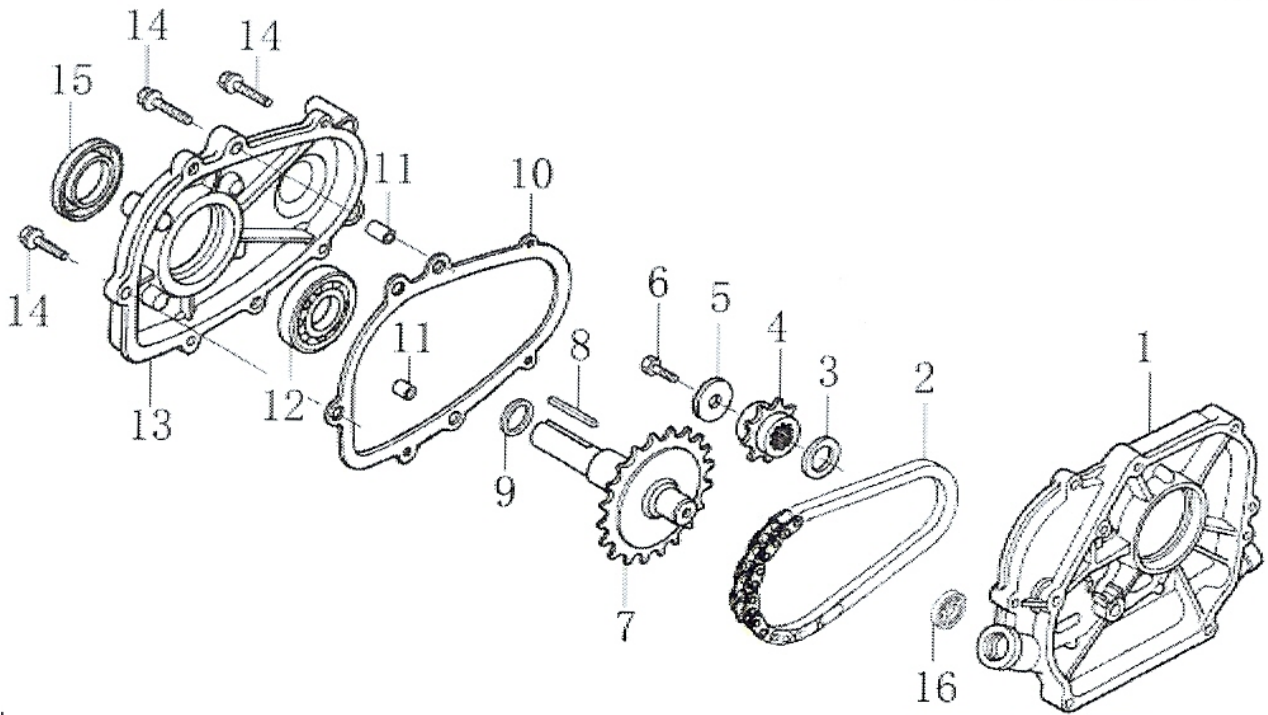
All pictures and drawings are for reference purposes only; any specifications appearing in any documents emanating from The Company are approximate only and are subject to modifications without notice.

All rights reserved, material contained in this publication for which copyright is acknowledged. No part of this publication may be reproduced or transmitted in any form or by any means without written permission of the copyright holder. Copyright Hoffmann International©2012.



CLUTCH RETARDER

No	Description	QTY.				Part No.
		LC168F(D)-IB	LC168F(D)-IIB	G160F(D)-B	G200F(D)-B	
1	Bolt, Flange, 6x55	9	9	9	9	GB5787-86/6x55
2	Oil Seal, 30x50x8	1	1	1	1	Local
3	Bolt, Drain Plug	1	1	1	1	Local
4	Washer, Drain Plug	1	1	1	1	Local
5	Bearing, Radial Ball	1	1	1	1	8Y-6206/P6
6	Key 5x5x40	1	1	1	1	Local
7	Retarder Case Cover Outer	1	1	1	1	2.1C - 121001
8	Bolt, Flange, 8x30	1	1	1	1	HP-30WD-046
9	Washer, Holder, 8.4x16x1.5	1	1	1	1	50WP-M8x16x1
10	Clutch Assembly	1	1	1	1	2.1C-121300130
11	Key 5x5x33	1	1	1	1	GB1096-7615x30
12	Chain, Retarder Drive	1	1	1	1	2.1C-121100
13	Pin, Dowel, 8x14	2	2	2	2	2.1-11000010
14	Bearing, Radial Ball	1	1	1	1	GBT276-6205
15	Bolt, Flange 8x20	5	5	5	5	GB5783-M8x20
16	Packing, Retarder Case Cover	1	1	1	1	2.1C-121003
17	Gauge Assembly, Oil Level	1	1	1	1	T/F
18	Retarder Case	1	1	1	1	2.1C-121002



RETARDER

No	Description	QTY.				Part No.
		LC168F(D)-IB	LC168F(D)-IIB	G160F(D)-B	G200F(D)-B	
1	Case Cover	1	1	1	1	2.1-11000001
2	Chain, Retarder	1	1	1	1	2.1-11000005
3	Washer	1	1	1	1	2.1-11000006
4	Chain Wheel (13T)	1	1	1	1	2.1-11000008
5	Washer	1	1	1	1	2.1-11000007
6	Bolt 8x30	1	1	1	1	HP-30WD-046
7	Output Shaft of Chain Wheel	1	1	1	1	2.1-11000004
8	Key 5x5x33	1	1	1	1	GB1096-7615x30
9	Washer	1	1	1	1	8:2.1-0872510
10	Packing Reduction	1	1	1	1	2.1-11000003
11	Pin	2	2	2	2	6.5-02000003
12	Bearing, Radial Ball	1	1	1	1	GBT276-6205
13	Cover Reduction	1	1	1	1	2.1-11000002
14	Bolt 8x32	6	6	6	6	GB5787-8618x32
15	Oil Seal	1	1	1	1	2.1-02010002
16	Bearing Needle Ball	1	1	1	1	GB290-2016